



## Content – Inhoud – Teneur – Inhalt – Treść – Obsah

Instruction manual – English .....	- 2 -
Gebruiksaanwijzing – Dutch .....	- 10 -
Mode d'emploi – French .....	- 19 -
Bedienungsanleitung – German .....	- 28 -
Instrukcja obsługi – Polish .....	- 37 -
Návod k použití – Czech .....	- 46 -

## **SAFETY INSTRUCTIONS**

Before use make sure to read all of the below instructions in order to avoid injury or damage, and to get the best results from the appliance. Make sure to keep this manual in a safe place. If you give or transfer this appliance to someone else make sure to also include this manual.

In case of damage caused by user failing to follow the instructions in this manual the warranty will be void. The manufacturer/importer accepts no liability for damages caused by failure to follow the manual, a negligent use or use not in accordance with the requirements of this manual.

1. This appliance can be used by children aged from 8 years and above and persons with reduced physical, sensory or mental capabilities or lack of experience and knowledge if they have been given supervision or instruction concerning use of the appliance in a safe way and understand the hazards involved.
2. Children shall not play with the appliance.
3. Cleaning and user maintenance shall not be made by children unless they are older than 8 and supervised.
4. Keep the appliance and its cord out of reach of children less than 8 years.
5. If the supply cord is damaged, it must be replaced by the manufacturer, its service agent or similarly qualified persons in order to avoid a hazard.
6. Regarding the instructions for cleaning the surfaces which come in contact with food or oil, please refer to the paragraph “CLEANING AND MAINTENANCE” of the manual.
7. This appliance is intended to be used in household and similar applications such as: staff kitchen areas in shops, offices and other working environments; farm houses; by clients in hotels, motels and other residential type environments; bed and breakfast type environments.

8. This appliance is not intended to be operated by means of an external timer or separate remote-control system.
9. Before inserting the plug into the mains socket, please check that the voltage and frequency comply with the specifications on the rating label.
10. Disconnect the mains plug from the socket when the appliance is not in use and before cleaning.
11. If an extension cord is used it must be suited to the power consumption of the appliance, otherwise overheating of the extension cord and/or plug may occur. There is a potential risk of injuries from tripping over the extension cord. Be careful to avoid dangerous situations.
12. Ensure that the mains cable is not hung over sharp edges and keep it away from hot objects and open flames.
13. Do not immerse the appliance or the mains plug in water or other liquids. There is danger to life due to electric shock!
14. To remove the plug from the plug socket, pull the plug. Do not pull the power cord.
15. Do not touch the appliance if it falls into water. Remove the plug from its socket, turn off the appliance and send it to an authorized service center for repair.
16. Do not plug or unplug the appliance from the electrical outlet with a wet hand.
17. Never attempt to open the housing of the appliance, or to repair the appliance yourself. This could cause electric shock.
18. Never leave the appliance unattended during use.
19. This appliance is not designed for commercial use.
20. Do not use the appliance for other than intended use.
21. Do not wind the cord around the appliance and do not bend it.
22. Place the appliance on a stable, level surface from which it cannot fall off.
23. Please prevent the product to be exposed to excessive dirt and humidity.

24. Clean the product itself with a slightly damp cloth.
25. Do not operate the machine without supervision, if you should leave the workplace, always switch the machine off or remove the plug from socket (pull the plug itself, not the lead).
26. Do not place the appliance against a wall or against other appliance. Leave at least 10cm free space on the back and sides and above the appliance.
27. During hot air frying, hot steam is released through the air outlet openings. Keep your hands and face at a safe distance from the steam and from the air outlet openings. Also be careful of hot steam and air when you remove the pan from the appliance.
28. Immediately unplug the appliance if you see dark smoke coming out of the appliance. Wait for the smoke emission to stop before you remove the pan from the appliance.
29. Make sure before each use of the appliance that the heating element and surroundings are clean and clear from any food remainders in order to ensure a flawless function.

30.

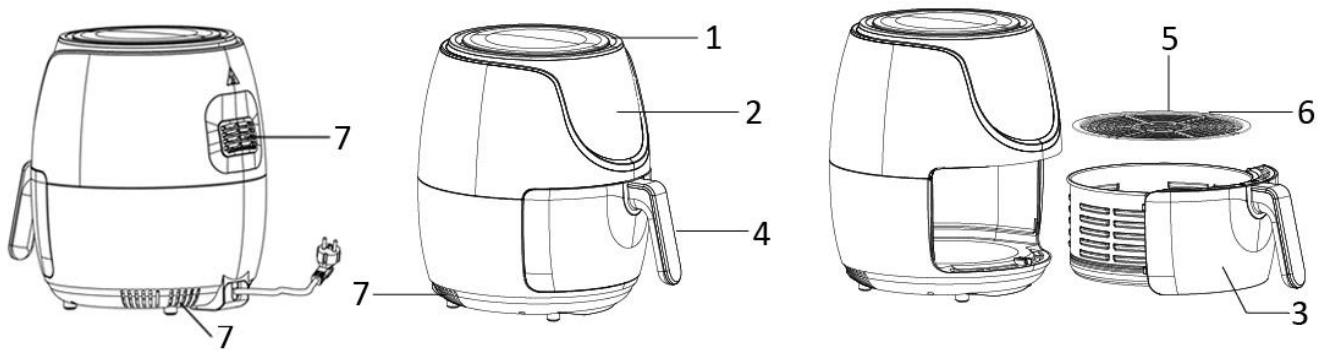


Caution, hot surface.

**WARNING!!** Please do not touch surface while in use. The temperature of accessible surfaces may be high when the appliance is operating.

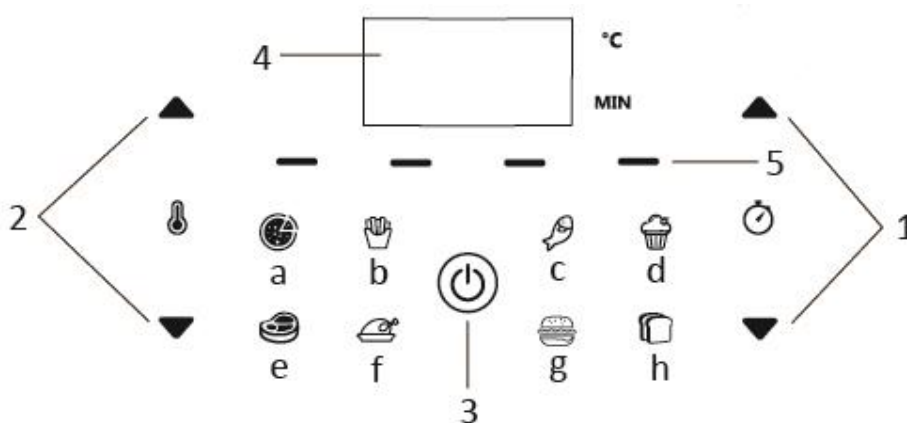
31. Hot air comes out of the air vent at the back side of the appliance. Be sure to keep sufficient distance to materials, like glass, that are sensitive to heat.
32. If you use products with non-stick surfaces, please make sure no birds are in the same room and that the room can be completely closed off and well-ventilated.

## PARTS DESCRIPTION



1. Air inlet
2. Control panel and display
3. Basket
4. Basket handle
5. Frying grill
6. Silicone case
7. Air outlet

## Control panel and display



1. Timer control (Press “▲” or “▼” to adjust the time from 1 to 60 minutes)
2. Temperature control (Press “▲” or “▼” to adjust the temperature from 80°C to 200°C)
3. On/off button
4. Timer and temperature display
5. Indicator light

## Menu buttons:

- a). pizza, b). chips, c). fish, d). cake,  
e). meat, f). chicken, g). hamburger, h). bread

## BEFORE USE

First read all instructions before use and retain the manual for later reference. Only plug this appliance into an earthed socket. Before first use, remove the packing materials. Clean the basket and frying grill. (See “cleaning and maintenance”) Wipe inside and outside of the appliance with a soft cloth. Make sure that the electrical parts remain dry. **This appliance heats food at all directions and most of the ingredients do not need any oil.**

Operate the appliance before first use for approximately 10 minutes in order to burn off production residues. Make sure there is good ventilation. The appliance may emit some smoke and a characteristic smell when you switch it on for the first time. This is normal and will stop soon.

**Note:** Always use the frying grill with the silicone cases attached. They will help to stabilize the frying grill in the basket during cooking.

## USE

1. Place the appliance on a dry, stable and heat-resistant surface.
2. Since the appliance becomes hot during use, make sure that it is not too close to other objects.
3. Pull out the basket from the appliance by the basket handle. Put the frying grill into the basket.
4. Place the ingredients into the basket. (Do not exceed the MAX level indicated inside the basket.) Slide the basket into the appliance. Make sure they are placed correctly and closed completely. Otherwise the appliance will not work. Caution: Do not touch the basket during use or after use in short time as it gets very hot. Only hold the basket by the handle.
5. Connect the power plug to a suitable outlet. The machine is now standby.
6. Press the on/off button once. Then press “▲” or “▼” to set your desired temperature (5 °C / press) and time (1 minute / press) for the ingredients. You can also long press “▲” or “▼” for rapid adjustment.
7. You can also press the menu button to directly choose the cooking function among pizza, chips, fish, cake, meat, chicken, hamburger and bread. If you wish to adjust the time and temperature a little, please press “▲” or “▼” to make adjustment.
8. Press the on/off button again; the machine starts working. The indicator light flashes in a line.
9. When the whole cooking process is finished, the blower will stop working. You can also manually turn off the machine by pressing the on/off button. The blower will stop in a few seconds.
10. Pull out the basket from the appliance by the basket handle. Check if the ingredients are ready. If not, simply slide the basket back into the appliance. Set the temperature and the timer to a few extra minutes. Then press the on/off button to run the machine again. NOTE: You can also pull out the basket to check and shake the ingredients during cooking process. When you slide back the basket, the machine will continue to work with the selected setting.
11. Empty the basket, putting the food into a bowl or onto a plate. To remove large or fragile ingredients, lift the ingredients out of the basket by a pair of tongs.  
To remove ingredients (e.g. beef, chicken, meat, any ingredients with original oil and will have excess oil from ingredients collected on the bottom of the basket), please use tongs to pick ingredients one by one.  
To remove ingredients (e.g. chips, vegetable or ingredients with no excess oil from the ingredients), please pull out the basket, and pour ingredients to tableware.
12. After the cooking is done, the appliance is instantly ready for preparing another batch of ingredients if needed.

## FRYING TIPS

1. The optimal amount for crispy fries is 600 - 800 grams.
2. Add 3 more minutes to the preparation time when the appliance is cold, or you can also let the appliance preheat approx. 4 minutes without any ingredients inside.
3. Some ingredients require shaking halfway through the preparation time. To shake or turn over the ingredients, pull the basket out of the appliance by the handle and shake it or turn over the ingredients by fork (or tongs). Then slide the basket back into the appliance.
4. You can also use the fryer to reheat ingredients. To reheat ingredients, set the temperature to 150°C for up to 10 minutes.
5. Products with crust of dry breadcrumbs will get crispier by spraying them with a little vegetable oil.

- Place a baking tin or an oven dish in the appliance if you want to bake a cake or quiche or other fragile ingredients.
- Do not prepare extremely greasy ingredients such as sausages in the appliance.

**CAUTION:**

- Do not immerse the housing in water or rinse it under the tap.
- Avoid any liquid entering the appliance to prevent from electric shock or short circuit.
- Keep all ingredients in the basket to prevent any contact with heating elements.
- Do not cover the air inlet and the outlet when the appliance is working. Leave at least 10cm free space around and above the appliance.
- Filling the basket with oil may cause a fire hazard!
- Do not touch the inside of the appliance when it is in operation.
- Be careful of the hot steam and air when you remove the basket from the appliance.
- During operation, hot steam is released through the air outlet. Keep your hands and face at a safe distance from the steam and the air outlet.
- Immediately turn off and unplug the appliance if you see any dark smoke coming out of the appliance, which means the food is overcooked or the appliance broke down.

**FRYING TABLE**

This table shows the food product quantities and required temperature and frying times. If the instructions on the product pack should deviate from the values shown in this table, the instructions on the pack should be followed.

Food	Min-max Amount (g)	Time (min)	Temperature (°C)	Shake	Notes
Thin frozen fries	450-1000	9-25	200	shake	
Thick frozen fries	450-1000	11-25	200	shake	
Home-made fries (8x8mm)	450-1200	10-25	200	shake	Add 1/2 tbsp of oil
Home-made potato wedges	450-1200	18-22	180	shake	Add 1/2 tbsp of oil
Home-made potato cubes	450-1100	12-18	180	shake	Add 1/2 tbsp of oil
Rosti	350	15-18	180	shake	
Potato gratin	750	15-18	200	shake	
Steak	150-750	8-12	180	-	
Pork chops	150-750	10-14	180	-	
Hamburger	150-750	7-14	200	-	
Sausage roll	150-750	13-15	200	-	
Drumsticks	150-750	15-22	200	-	
Chicken breast	150-750	10-15	200	-	
Spring rolls	150-600	8-10	200	shake	Use oven-ready
Frozen chicken nuggets	150-750	6-10	200	shake	Use oven-ready
Frozen fish fingers	150-600	6-10	200	-	Use oven-ready
Frozen bread crumbed cheese snacks	150-600	8-10	180	-	Use oven-ready
Stuffed vegetables	150-600	10	160	-	
Cake	450	20-25	160	-	Use baking tin
Quiche	600	20-22	180	-	Use baking tin/oven dish
Muffins	450	15-18	200	-	Use baking tin
Sweet snacks	600	20	160	-	Use baking tin/oven dish

**CLEANING AND MAINTENANCE**

- Before handling or cleaning the appliance, let it cool down for approximately 30 minutes. Clean the appliance on all the inside and outside regularly.



2. Clean the outside and inside of the appliance with a damp cloth and dry with a soft, clean cloth.
3. Never use abrasive cleaners or sponges.
4. Remove the basket to let the appliance cool down more quickly. Clean the basket and frying grill in hot water with a washing liquid and a non-abrasive sponge. Dry well before use.
5. Clean the heating element inside of the housing (You can see it after pull out the basket) with a cleaning brush to remove any food residues.

Note: The basket and frying grill are dishwasher safe.

#### TROUBLE SHOOTING

Problem	Possible cause	Solution
<b>The appliance does not work.</b>	The appliance is not plugged in.	Put the mains plug in an earthed wall socket.
	You have not pressed the on/off button to turn on the machine.	Press the on/off button to turn on the appliance.
<b>The ingredients are not fried completely.</b>	The amount of the food in the basket is too high.	Put smaller batches of ingredients in the basket. Smaller batches are fried more evenly.
	The temperature is too low or the time is not enough.	Increase the temperature or cook more time.
<b>The ingredients are fried unevenly.</b>	Different types of food may need to be shaken halfway during cooking.	Shake food halfway during the cooking time.
<b>Fried snacks are not crispy</b>	You used a type of snacks which shall be cooked in a traditional deep fryer.	Use oven snacks or lightly brush some oil onto the snacks for a crispier result.
<b>White smoke comes out from the appliance.</b>	You are preparing greasy ingredients.	When you fry greasy ingredients, oil will leak into the basket. The oil produces white smoke and the basket may heat up. This does not affect the cooking result or hurt the appliance.
	The basket still contains grease residue from previous use.	Clean the basket properly after each use.
<b>Fresh fries are fried unevenly.</b>	You haven't used the right potato type.	Use fresh potatoes.
	You haven't rinsed the potato sticks properly before frying.	Rinse the potato sticks properly to remove starch from the outside of the sticks.
<b>Fresh fries are not crispy.</b>	The crispness of the fries depends on the amount of oil and water in the fries.	Make sure the potato sticks have been dried properly before adding the oil.
		Cut the potato sticks smaller for a crispier result.
		Add slightly more oil for a crispier result.

#### TECHNICAL DATA

Operating voltage: 220-240V ~ 50/60Hz

Power: 1500W

#### ENVIRONMENT FRIENDLY DISPOSAL



Recycling – European Directive 2012/19/EU

This marking indicates that this product should not be disposed with other household wastes. To prevent possible harm to the environment or human health from uncontrolled waste disposal, recycle it responsibly to promote the sustainable reuse of material resources. To return your used

device, please use the return and collection systems or contact the retailer where the product was purchased. They can take this product for environmental safe recycling.

Emerio Holland B.V.  
Zomervaart 1A  
2033 DA Haarlem  
The Netherlands  
T: +31(0)23 3034369

## **VEILIGHEIDSVOORSCHRIFTEN**

Voor gebruik dient u alle onderstaande instructies te lezen om letsel en schade te voorkomen en om de beste resultaten met het apparaat te bereiken. Bewaar deze handleiding op een veilige plek. Mocht u dit apparaat aan iemand anders overhandigen, dient u ook de gebruiksaanwijzing te overhandigen.

In geval van schade die wordt veroorzaakt doordat de gebruiker de instructies in deze gebruiksaanwijzing niet in acht heeft genomen, komt de garantie te vervallen. De fabrikant/importeur is niet aansprakelijk voor schade die wordt veroorzaakt door het niet in acht nemen van de gebruiksaanwijzing, door nalatig gebruik of gebruik dat niet in overeenstemming is met de bepalingen van deze gebruiksaanwijzing.

1. Dit apparaat mag worden gebruikt door kinderen vanaf 8 jaar en personen met beperkte fysieke, visuele of mentale vaardigheden, of die een gebrek aan ervaring en kennis hebben, indien ze gepaste instructies hebben gekregen zodat ze het apparaat op een veilige manier kunnen gebruiken, op de hoogte zijn van de gevaren die het gebruik van het apparaat met zich meebrengt en deze gevaren begrijpen.
2. Laat kinderen niet met het apparaat spelen.
3. Laat het reinigen en het onderhoud van het apparaat niet uitvoeren door kinderen tenzij ze ouder zijn dan 8 jaar en onder toezicht staan.
4. Houd het apparaat en snoer buiten het bereik van kinderen jonger dan 8 jaar.
5. Als het snoer is beschadigd, moet het worden vervangen door de fabrikant, zijn klantenservice of gelijksoortig geschoolde personen om gevaar te vermijden.
6. Met het oog op de instructies voor de reiniging van de oppervlakken die in contact kunnen komen met voedsel

of olie, dient u de instructies in de paragraaf " REINIGEN EN ONDERHOUD " van de gebruiksaanwijzing in acht te nemen.

7. Dit apparaat is bedoeld voor huishoudelijk- en vergelijkbaar gebruik zoals: personeelskeuken in winkels, kantoren en andere werkomgevingen; boerderijen; door hotel, motelgasten en andere residentiële omgevingen; bed and breakfast soortgelijke omgevingen.
8. Dit apparaat is niet bestemd voor gebruik door middel van een externe timer of een afzonderlijk op afstand bestuurd systeem.
9. Voordat u de stekker in het stopcontact steekt, dient u te controleren of de stroom en de frequentie overeen komen met de specificaties van het typeplaatje.
10. Trek de stekker uit het stopcontact als het apparaat niet in gebruik is en voordat u het apparaat reinigt.
11. Als u gebruik maakt van een verlengkabel, dient dit geschikt te zijn voor het stroomverbruik van het apparaat, anders kan oververhitting van de verlengkabel en/of stekker het gevolg zijn. Er is risico op letsel door het struikelen over het verlengsnoer. Wees voorzichtig om gevaarlijke situaties te vermijden.
12. Let op dat de stroomkabel niet over scherpe randen hangt en niet in de buurt komt van hete voorwerpen en open vuur.
13. Dompel het apparaat of de stekker niet onder in water of andere vloeistoffen. Er bestaat levensgevaar als gevolg van een elektrische schok!
14. Om de stekker uit het stopcontact te halen, dient u aan de stekker zelf te trekken. Trek niet aan de stroomkabel.
15. Raak het apparaat niet aan als het in water is gevallen. Trek de stekker uit het stopcontact, schakel het apparaat uit en breng het ter reparatie naar een geautoriseerd servicecenter.

16. Steek de stekker niet in het stopcontact en haal hem er niet uit als u natte handen heeft.
17. Probeer nooit de behuizing van het apparaat te openen en probeer nooit zelf het apparaat te repareren. Dit kan een elektrische schok veroorzaken.
18. Laat het apparaat nooit onbeheerd achter wanneer het in gebruik is.
19. Dit apparaat werd niet ontworpen voor commercieel gebruik.
20. Gebruik het apparaat niet voor andere doeleinden dan het beoogde doel.
21. Draai de kabel niet om het apparaat en buig hem niet.
22. Plaats het apparaat op een stabiele, vlakke ondergrond waar het niet vanaf kan vallen.
23. Voorkom dat het product wordt blootgesteld aan excessieve verontreiniging en vocht.
24. Reinig het product zelf met een licht bevochtigde doek.
25. Gebruik de machine niet zonder toezicht. Als u de werkplek verlaat, dient u de machine altijd uit te schakelen of de stekker uit het stopcontact te trekken (trek aan de stekker zelf, niet aan de kabel).
26. Plaats het apparaat niet tegen een muur of tegen een ander apparaat. Laat minstens 10 cm ruimte aan de achterkant, de zijkanten en boven het apparaat vrij.
27. Tijdens het frituren met hete lucht komt er hete stoom uit de ventilatieopeningen. Houd uw handen en gezicht op een veilige afstand van de stoom en van de ventilatieopeningen. Let bovendien ook op hete stoom en lucht als u de pan uit het apparaat haalt.
28. Trek de stekker direct uit het stopcontact als u ziet dat donkere rook uit het apparaat ontsnapt. Wacht totdat de rook is opgelost en verwijder dan de pan uit het apparaat.
29. Zorg dat het verwarmingselement en de aangrenzende delen voor elk gebruik schoon en vrij van etensresten zijn om een perfecte werking te waarborgen.

30.

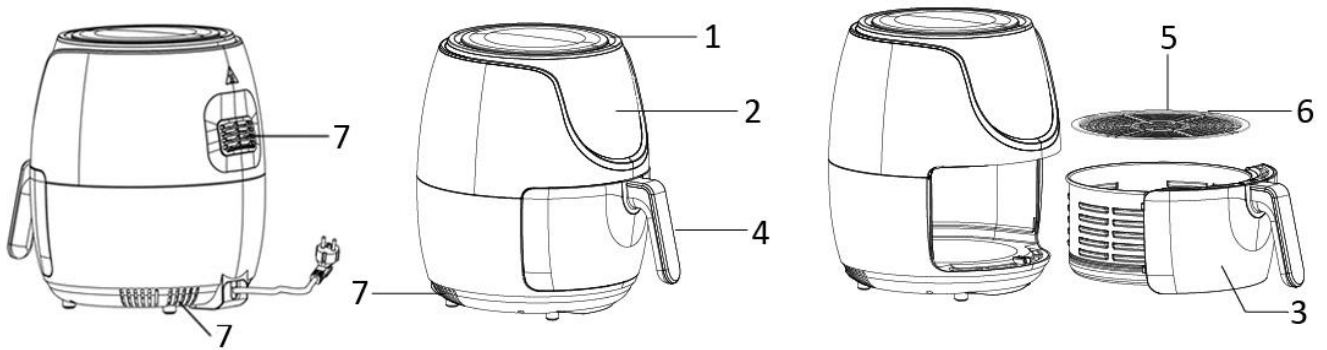


Opgelet, heet oppervlak.

**WAARSCHUWING!!** Raak het oppervlak a.u.b. niet aan tijdens gebruik. De temperatuur van toegankelijke oppervlakken kan erg hoog worden wanneer het apparaat aan staat.

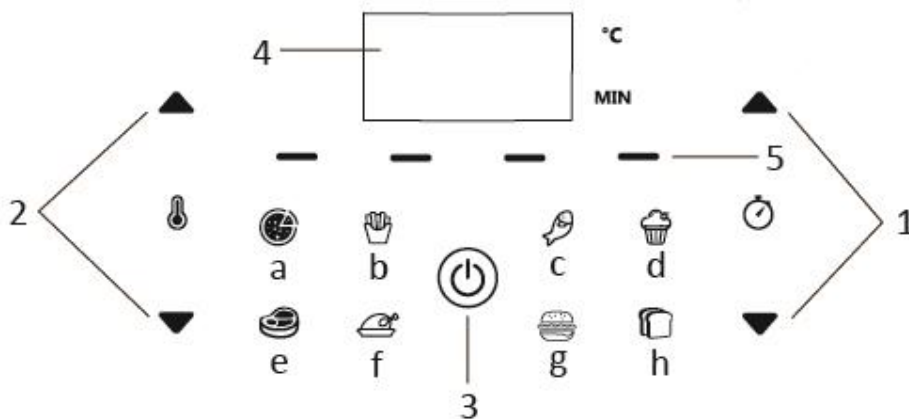
31. Hete lucht komt uit de ventilatie opening aan de achterkant van het apparaat. Zorg voor voldoende ruimte tot materialen die gevoelig zijn voor warmte, zoals glas.
32. Als u producten met een antiaanbaklaag gebruikt, dient u ervoor te zorgen dat zich geen vogels in dezelfde ruimte bevinden en dat de ruimte compleet kan worden gesloten en goed geventileerd wordt.

## OMSCHRIJVING ONDERDELEN



1. Luchtinlaat
2. Bedieningspaneel en scherm
3. Mandje
4. Handvat mandje
5. Bakrooster
6. Silicone klemmen
7. Luchtuitlaat

## Bedieningspaneel en scherm



1. Timer (Druk op “▲” of “▼” om de tijd in te stellen van 1 tot 60 minuten)
2. Temperatuurregeling (Druk op “▲” of “▼” om de temperatuur in te stellen van 80°C tot 200°C)
3. Aan/uit-knop
4. Weergave van timer en temperatuur
5. Controlelampje

## Menuknoppen:

- a). pizza, b). friet, c). vis, d). cake,  
e). vlees, f). kip, g). hamburger, h). brood

## VOOR GEBRUIK

Lees alle aanwijzingen voordat u het apparaat gaat gebruiken en bewaar deze om later nog eens na te kunnen kijken. Steek de stekker alleen in een geaard stopcontact. Voor het eerste gebruik dient u de verpakkingsmaterialen te verwijderen. Reinig de mand en het bakrooster. (Zie “Reinigen en onderhoud”) Veeg de binnen- en buitenkant van het apparaat schoon met een zachte doek. Zorg dat de elektrische onderdelen droog blijven. **Dit apparaat verhit voedsel rondom en de meeste ingrediënten hebben geen olie nodig.**

**Opmerking:** Gebruik het bakrooster altijd met de silicone klemmen bevestigd. Dit zorgt voor een stabiele positie van het bakrooster in de mand tijdens het bakproces.

## GEBRUIK

1. Plaats het apparaat op een droog, stabiel en hittebestendig oppervlak.
2. Omdat het apparaat heet wordt tijdens het gebruik, dient u ervoor te zorgen dat het niet te dicht bij andere objecten staat.
3. Trek de mand uit het apparaat met behulp van de handgreep. Plaats het bakrooster in de mand.
4. Doe de ingrediënten in de mand. (Ga niet over de MAX markering in het mandje heen.) Schuif de mand in het apparaat. Zorg dat de mand juist wordt aangebracht en het apparaat volledig dicht is. Het apparaat zal anders niet starten. Opgelet: Raak de mand tijdens en kort na gebruik niet aan, ze wordt zeer warm. Houd de pan alleen bij de handgreep vast.
5. Steek de stekker in een geschikt stopcontact. Het apparaat staat nu in stand-by.
6. Druk eenmaal op de aan/uit-knop. Druk dan op “▲” of “▼” om uw gewenste temperatuur (5 graden / druk) en tijd (1 minuut / druk) voor de ingrediënten in te stellen. U kunt tevens lang op “▲” of “▼” drukken om de waarde snel in te stellen.
7. U kunt tevens op de menuknop drukken om direct een van de volgende bakfuncties te kiezen: pizza, friet, vis, cake, vlees, kip, hamburger en brood. Als u de tijd of de temperatuur wilt aanpassen, druk op de “▲” of “▼” knop.
8. Druk opnieuw op de aan/uit-knop en het apparaat treedt in werking. Het controlelampje brandt op een doorlopende manier.
9. Aan het einde van het kookproces stopt de blazer met werken. U kunt het apparaat tevens handmatig uitschakelen door op de aan/uit-knop te drukken. De blazer stopt na enkele seconden.
10. Trek het mandje uit het apparaat met behulp van het handvat. Controleer of de levensmiddelen gaar zijn. Als dit niet het geval is, schuif het mandje vervolgens opnieuw in het apparaat. Stel de gewenste temperatuur en vervolgens de timer op enkele extra minuten in. Druk dan op de aan/uit-knop om het apparaat opnieuw in werking te stellen. OPMERKING: U kunt de mand tevens uittrekken om de ingrediënten tijdens het bakproces te controleren en te schudden. Wanneer de mand opnieuw in het apparaat is geschoven, wordt de werking met de geselecteerde instelling hervat.
11. Maak het mandje leeg en doe de levensmiddelen in een kom of op een bord. Om grotere of breekbare ingrediënten te verwijderen, haalt u de ingrediënten uit het mandje met behulp van een tang.  
Om ingrediënten, zoals rundvlees, kip, vlees en andere ingrediënten die olie bevatten, waarvan de overtollige olie in de bodem van de mand wordt opgevangen, uit te halen, gebruik een tang om de ingrediënten één voor één te verwijderen.  
Om ingrediënten, zoals friet, groente en ingrediënten zonder overtollige olie, uit te halen, trek de mand uit en breng de ingrediënten over naar een schaal.
12. Als de bereidingstijd voorbij is, is het apparaat meteen gereed voor het bereiden van een volgende portie als dit nodig is.

## FRITUURTIPS

1. De ideale hoeveelheid voor knapperige friet is 600 - 800 gram.
2. Voeg 3 extra minuten aan de bereidingstijd toe wanneer het apparaat koud is of laat het apparaat circa 4 minuten voorverwarmen zonder ingrediënten in het apparaat.
3. Het is nodig om bepaalde ingrediënten aan de helft van de bereidingstijd te schudden. Om de levensmiddelen te schudden of om te draaien, trek de mand via de handgreep uit het apparaat en schud de mand of draai de ingrediënten om met een vork (of tang). Schuif de mand vervolgens opnieuw in het apparaat.



4. U kunt de frituurpan ook gebruiken voor het opnieuw verwarmen van ingrediënten. Voor het opnieuw verwarmen, stel de temperatuur in op 150 °C gedurende 10 minuten.
5. Producten met een korst of paneerlaag worden knapperiger als u deze eerst licht inspuit met wat plantaardige olie.
6. Plaats een bakvorm of een ovenschaal in het apparaat, als u een cake, quiche of ander gevoelig gerecht wilt bakken.
7. Bak geen extreem vette ingrediënten, zoals worst, in het apparaat.

#### VOORZICHTIG:

1. Dompel het apparaat nooit onder in water en spoel het niet af onder de kraan.
2. Voorkom dat er vloeistof het apparaat binnen kan dringen om elektrische schokken of kortsluiting te voorkomen.
3. Houd alle ingrediënten in het mandje om contact met de verwarmingselementen te voorkomen.
4. Dek de luchtinlaat en -uitlaat niet af als het apparaat in werking is. Laat een vrije ruimte van minstens 10 cm rond en boven het apparaat.
5. Het vullen van de mand met olie kan brandgevaar opleveren!
6. Raak de binnenkant van het apparaat niet aan wanneer in werking.
7. Kijk uit voor de hete lucht en stoom wanneer u het mandje uit het apparaat haalt.
8. Tijdens de bereiding komt er hete stoom uit de luchtuitlaat. Houd uw handen en gezicht op veilige afstand van de stoom en de luchtuitlaat.
9. Schakel het apparaat onmiddellijk uit en haal de stekker uit het stopcontact als donkere rook wordt afgegeven. Dit betekent dat het voedsel te veel is gekookt of het apparaat defect is.

#### BAKTABEL

Deze tabel toont de hoeveelheden van de etenswaren evenals de vereiste temperatuur en tijden. Wanneer de aanwijzingen op de verpakking van het product van de in deze tabel getoonde waarden verschillen, dan moeten de aanwijzingen op de verpakking gevolgd worden.

Lebensmittel	Min. – Max. Menge(gr.)	Zeit (Min.)	Temperatur (°C)	Schütteln	Anmerkungen
Dünne gefrorene Pommes frites	450-1000	9-25	200	schütteln	
Dicke gefrorene Pommes frites	450-1000	11-25	200	schütteln	
Selbst gemachte Pommes frites (8 x 8 mm)	450-1200	10-25	200	schütteln	½ EL Öl hinzufügen
Selbst gemachte Kartoffelecken	450-1200	18-22	180	schütteln	½ EL Öl hinzufügen
Selbst gemachte Kartoffelwürfel	450-1100	12-18	180	schütteln	½ EL Öl hinzufügen
Rösti	350	15-18	180	schütteln	
Kartoffelgratin	750	15-18	200	schütteln	
Steak	150-750	8-12	180	-	
Schweinekoteletts	150-750	10-14	180	-	
Hamburger	150-750	7-14	200	-	
Wurstchen im Schlafrock	150-750	13-15	200	-	
Hähnchenschlegel	150-750	15-22	200	--	
Hühnerbrust	150-750	10-15	200	-	
Frühlingsrollen	150-600	8-10	200	schütteln	ofenfertige verwenden

Gefrorene Hühnchennuggets	150-750	6-10	200	schütteln	ofenfertige verwenden
Gefrorene Fischstäbchen	150-600	6-10	200	-	ofenfertige verwenden
Gefrorene panierte Käse-Snacks	150-600	8-10	180	-	ofenfertige verwenden
Gefülltes Gemüse	150-600	10	160	-	
Kuchen	450	20-25	160	-	Backform benutzen
Quiche	600	20-22	180	-	Backform/Auflaufform benutzen
Muffins	450	15-18	200	-	Backform benutzen
Süße Snacks	600	20	160	-	Backform/Auflaufform benutzen

### REINIGEN EN ONDERHOUD

- Voordat u het apparaat aanpakt of gaat reinigen, dient u het ongeveer 30 minuten af te laten koelen. Reinig het apparaat zowel aan de binnen- als buitenkant grondig.
- Reinig de binnen- en buitenkant van het apparaat met een vochtige doek en droog deze weer met een schone, zachte doek.
- Gebruik nooit schurende middelen of sponzen.
- Verwijder de mand om het apparaat sneller te laten afkoelen. Reinig de mand en het bakrooster met warm water, een beetje afwasmiddel en een zachte spons. Veeg grondig droog voor gebruik.
- Maak het verwarmingselement binnenin de behuizing schoon (na het uittrekken van de mand) met een schoonmaakborstel om eventuele etensresten te verwijderen.

Opmerking: De mand en het bakrooster zijn vaatwasserbestendig.

### PROBLEEM OPLOSSINGEN

Probleem	Mogelijke oorza(a)k(en)	Oplossing
<b>Het apparaat werkt niet.</b>	De stekker zit niet in het stopcontact.	Steek de stekker in een geaard stopcontact.
	De aan/uit-knop werd niet ingedrukt om het apparaat in te schakelen.	Druk op de aan/uit-knop om het apparaat in te schakelen.
<b>De ingrediënten zijn niet volledig gebakken.</b>	De hoeveelheid voedsel in de mand is te groot.	Doe kleinere porties ingrediënten in het mandje. Kleinere porties worden gelijkmatiger gebakken.
	De temperatuur is te laag of de ingestelde tijd is te kort.	Verhoog de temperatuur of stel een langere kooktijd in.
<b>De ingrediënten zijn niet gelijkmatig gebakken.</b>	Voor verschillende soorten voedsel kan het noodzakelijk zijn deze halverwege de bereidingstijd om te schudden.	Schud het voedsel om halverwege de bereidingstijd.
<b>De gefrituurde snacks zijn niet knapperig</b>	U heeft een soort snack uitgekozen die alleen op een traditionele manier gefrituurd kan worden.	Gebruik snacks voor de oven of doe een beetje olie op de snacks voor een knapperiger resultaat.

<b>Er komt witte rook uit het apparaat.</b>	U bereidt vette ingrediënten.	Tijdens het bakken van vette levensmiddelen, zal er olie in het mandje lekken. De olie produceert witte rook en het mandje kan warm worden. Dit geeft geen impact op het bakresultaat en beschadigt het apparaat niet.
	De mand bevat nog vetresten van het vorig gebruik.	Maak de mand schoon na elk gebruik.
<b>Verse frietjes zijn onregelmatig gefrituurd</b>	U hebt de verkeerde soort aardappel gebruikt	Gebruik verse aardappelen.
	U hebt de aardappelfriet voor het bakken onvoldoende gespoeld.	Reinig de aardappelsticks fatsoenlijk om het zetmeel aan de buitenkant van de sticks te verwijderen.
<b>Verse frietjes zijn niet knapperig</b>	De knapperigheid van de frietjes is afhankelijk van de hoeveelheid olie en water in de frietjes	Zorg ervoor dat de sticks goed afgedroogd zijn alvorens olie toe te voegen.
		Snijd de aardappelsticks smaller voor een knapperiger resultaat.
		Voeg beetje bij beetje meer olie toe voor een knapperiger resultaat.

#### TECHNISCHE GEGEVENS

Bedrijfsspanning: 220-240V ~ 50/60Hz

Opgenomen vermogen: 1500W

#### MILIEUVRIENDELIJKE AFVALVERWERKING



Recycling – Europese Richtlijn 2012/19/EU

Deze markering betekent dat dit product niet samen met ander huishoudelijk afval mag worden afgedankt. Om het milieu en de volksgezondheid niet in gevaar te brengen en het hergebruik van grondstoffen te bevorderen, moet dit product op verantwoorde wijze worden afgevoerd. Lever verbruikte apparatuur a.u.b. in bij de hiervoor bestemde inzamelpunten of bij de winkel waar het product was aangeschaft. Zij zullen dit product accepteren voor milieuvriendelijke afvalverwerking.

Emerio Holland B.V.

Zomervaart 1A

2033 DA Haarlem

The Netherlands

T: +31(0)23 3034369

## CONSIGNES DE SÉCURITÉ

Avant d'utiliser l'appareil, lisez toutes les consignes suivantes pour éviter des blessures et des dommages, et pour optimiser les performances de votre appareil. Conservez cette notice d'utilisation dans un endroit sûr. Si vous donnez ou transférez cet appareil à un tiers, veillez à lui remettre également cette notice d'utilisation.

En cas de détérioration due au non-respect par l'utilisateur des instructions de cette notice d'utilisation, la garantie est annulée. Le fabricant/importateur rejette toute responsabilité en cas de dommages dus au non-respect des instructions de la notice d'utilisation, à un usage négligent ou à l'usage non conforme aux exigences de cette notice d'utilisation.

1. Cet appareil peut être utilisé par des enfants à partir de 8 ans et plus et par des personnes ayant des capacités physiques, sensorielles ou mentales réduites ou un manque d'expérience et de connaissances à condition qu'elles aient reçu une supervision ou des instructions concernant l'utilisation de l'appareil en toute sécurité et qu'elles comprennent les dangers encourus.
2. Les enfants ne doivent pas jouer avec l'appareil.
3. Le nettoyage et l'entretien par l'utilisateur ne doivent pas être effectués par des enfants, sauf s'ils ont plus de 8 ans et qu'ils sont surveillés.
4. Maintenir l'appareil et son cordon hors de portée des enfants de moins de 8 ans.
5. Si le câble d'alimentation est endommagé, il doit être remplacé par le fabricant, son service après-vente ou des personnes de qualification similaire afin d'éviter un danger.
6. Pour obtenir des instructions sur comment nettoyer les surfaces qui sont en contact avec des aliments ou de

l'huile, reportez-vous au paragraphe « NETTOYAGE ET ENTRETIEN » du mode d'emploi.

7. Cet appareil est destiné à une utilisation domestique et analogue telles que: Les zones de cuisine du personnel de magasins, bureaux et autres environnements de travail; Les fermes; Les clients dans les hôtels, motels et autres environnements de type résidentiel; Environnements de type chambres d'hôtes.
8. Les appareils ne sont pas destinés à être mis en fonctionnement au moyen d'une minuterie extérieure ou par un système de commande à distance séparé.
9. Avant d'insérer la fiche de l'appareil dans une prise secteur, vérifiez que la tension et la fréquence du secteur correspondent aux spécifications indiquées sur la plaque signalétique.
10. Débranchez la fiche électrique de la prise électrique quand l'appareil n'est pas utilisé et avant de le nettoyer.
11. Si vous utilisez une rallonge électrique, elle doit être appropriée à la puissance consommée par l'appareil, sinon la rallonge et/ou la fiche risquent de chauffer excessivement. Il existe un risque potentiel de blessures par trébuchement sur le cordon électrique. Prenez vos précautions pour éviter toute situation dangereuse.
12. Veillez à ce que le cordon d'alimentation ne pende pas sur des arêtes coupantes et maintenez-le éloigné des objets chauds et des flammes nues.
13. N'immergez jamais l'appareil ou sa fiche dans de l'eau ni dans aucun autre liquide. Cela peut provoquer un choc électrique !
14. Pour débrancher la fiche de la prise, saisissez la fiche et tirez-la hors de la prise. Ne tirez pas sur le cordon d'alimentation.
15. Ne touchez pas l'appareil s'il tombe dans de l'eau. Débranchez la fiche de la prise électrique, éteignez

l'appareil et rapportez-le au centre de réparation agréé pour le faire réparer.

16. Ne branchez pas et ne débranchez pas l'appareil de la prise électrique avec les mains mouillées.
17. N'essayez pas d'ouvrir le boîtier de l'appareil ni de réparer l'appareil vous-même. Cela peut provoquer un choc électrique.
18. Ne laissez jamais l'appareil sans surveillance quand il est en fonctionnement.
19. Cet appareil n'est pas conçu pour un usage commercial.
20. N'utilisez pas cet appareil à un usage autre que celui pour lequel il a été conçu.
21. N'enroulez pas le cordon d'alimentation autour de l'appareil et ne le pliez pas.
22. Placez l'appareil sur une surface horizontale et stable, de laquelle il ne peut pas tomber.
23. Veillez à ce que l'appareil ne soit pas exposé à une humidité ou des saletés excessives.
24. Nettoyez le produit avec un chiffon légèrement humidifié.
25. N'utilisez pas l'appareil sans le surveiller. Si vous devez quitter la zone d'utilisation, éteignez toujours l'appareil et débranchez toujours sa fiche de la prise électrique (saisissez et tirez la fiche, et non le cordon d'alimentation).
26. N'installez pas l'appareil contre un mur ou contre un autre appareil. Laissez un espace d'au moins 10 cm à l'arrière, sur les côtés et au-dessus de l'appareil.
27. Cette friteuse à air chaud dégage de la vapeur brûlante par ses ouvertures de sortie d'air lorsqu'elle fonctionne. N'approchez pas vos mains ou votre visage des jets de vapeur brûlants des sorties d'air. De même, faites attention à ne pas vous brûler avec l'air et la vapeur brûlants lorsque vous retirez le panier de l'appareil.
28. Si l'appareil dégage de la fumée noire, débranchez-le immédiatement. Attendez que la fumée s'arrête avant de retirer le panier de l'appareil.

29. Avant chaque utilisation de l'appareil, vérifiez que l'élément chauffant et la zone l'entourant sont propres et exempts de tout résidu alimentaire afin de garantir un fonctionnement parfait.

30.



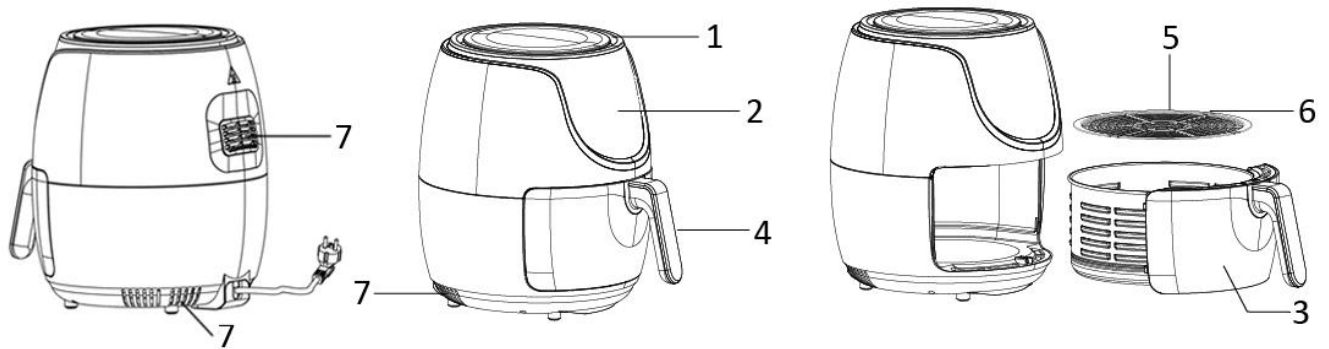
Attention, surface chaude.

Avertissement!! Veuillez ne pas toucher la surface pendant l'utilisation. La température des surfaces accessibles peut être élevée lorsque l'appareil est en fonctionnement.

31. De l'air chaud sort de la bouche d'aération située à l'arrière de l'appareil. Veillez à maintenir une distance suffisante des matériaux, tels que le verre, qui sont sensibles à la chaleur.

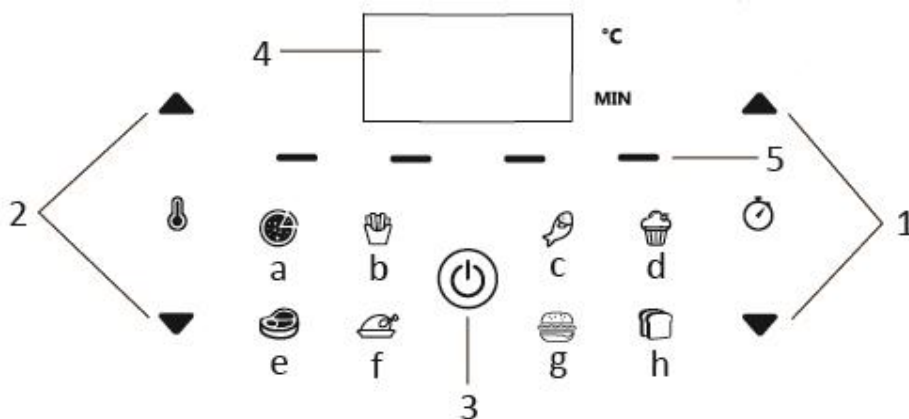
32. Si vous utilisez des produits antiadhésifs, veillez à ce qu'il n'y ait aucun oiseau dans la pièce et à ce que la pièce soit complètement fermée et bien aérée.

## DESCRIPTION DES COMPOSANTS



1. Entrée d'air
2. Panneau de contrôle et affichage
3. Panier
4. Poignée du panier
5. Grille de cuisson
6. Support siliconé
7. Sortie d'air

## Panneau de contrôle et affichage



1. Réglage de la minuterie (Appuyez sur « ▲ » ou « ▼ » pour régler la minuterie de 1 à 60 minutes)
2. Thermostat (Appuyez sur « ▲ » ou « ▼ » pour régler la température de 80 °C à 200 °C)
3. Bouton marche/arrêt
4. Affichage du minuteur et de la température
5. Indicateur lumineux

**Bouton Menu :**

- a). Pizza b). Frites c). Poisson d). Gâteau  
e). Viande f). Poulet g). Hamburger h). Pain

**AVANT TOUTE UTILISATION**

Lisez les instructions dans leur intégralité, et conservez-les pour référence future. Utiliser cet appareil avec une prise équipée d'une mise à la terre seulement. Avant la première utilisation, retirez tous les éléments d'emballage. Nettoyez le panier et la grille de cuisson. (Voir « Nettoyage et entretien »). Essuyez l'intérieur et l'extérieur de l'appareil avec un tissu doux. Veillez à ne pas mouiller les composants électriques. **L'appareil fait chauffer les aliments de manière homogène, et une grande majorité d'ingrédients ne nécessitent aucune addition d'huile.**



Avant la première utilisation de l'appareil, faites-le fonctionner 10 minutes environ pour brûler les résidus de fabrication. Veillez à ce qu'il y ait une bonne ventilation. L'appareil peut émettre un peu de fumée et une odeur caractéristique quand vous l'allumez pour la première fois. C'est un phénomène normal qui disparaît rapidement.

**Remarque :** Utilisez toujours la grille de cuisson avec les supports siliconés couverts. Ils aident à stabiliser la grille dans le panier pendant la cuisson.

## UTILISATION

1. Posez l'appareil sur une surface sèche, stable et thermorésistante.
2. L'appareil chauffe pendant son fonctionnement, ne pas le positionner à proximité d'autres objets inflammables.
3. Sortez le panier de l'appareil en saisissant la poignée du panier. Placez la grille de cuisson dans le panier.
4. Mettez les ingrédients dans le panier. (Ne pas excéder le niveau MAX indiqué dans le panier.) Insérez le panier dans l'appareil. Vérifiez qu'ils sont correctement positionnés et complètement fermés. Sinon l'appareil ne fonctionnera pas. Attention : Ne touchez pas le panier pendant l'utilisation ou peu après l'utilisation, car il devient très chaud. Saisissez le panier exclusivement par sa poignée.
5. Branchez le cordon d'alimentation à une prise murale compatible. La machine est maintenant en veille.
6. Appuyez une fois sur le bouton marche / arrêt. Puis appuyez sur «▲» ou «▼» pour régler la température souhaitée (5 degrés par pression) et la durée (1 minute par pression) pour les ingrédients. Vous pouvez également appuyer longuement sur «▲» ou «▼» pour faire défiler rapidement les chiffres.
7. Vous pouvez également appuyer sur la touche « Menu » pour choisir directement la fonction de cuisson parmi Pizza, Frites, Poisson, Gâteau, Viande, Poulet, Hamburger et Pain. Si vous souhaitez régler un peu la durée et la température, veuillez appuyer sur «▲» ou «▼» pour effectuer le réglage.
8. Appuyez à nouveau sur le bouton marche/arrêt, la machine redémarre. L'indicateur lumineux clignote sur une ligne.
9. Une fois la cuisson complètement terminée, le ventilateur cesse de fonctionner. Vous pouvez également éteindre manuellement la machine en appuyant sur le bouton marche/arrêt. Le ventilateur s'arrête en quelques secondes.
10. Sortez le panier de l'appareil en saisissant la poignée du panier. Vérifiez que les ingrédients sont cuits. Si ce n'est pas le cas, remettez le panier dans l'appareil. Réglez la température et le minuteur sur quelques minutes supplémentaires. Puis appuyez sur le bouton marche/arrêt pour allumer à nouveau l'appareil. REMARQUE : Vous pouvez également retirer le panier pour vérifier et secouer les ingrédients pendant la cuisson. Lorsque vous faites glisser le panier en arrière, la machine reprend son fonctionnement avec le réglage sélectionné.
11. Videz le panier, mettez les aliments dans un bol ou sur une assiette. Pour retirer les ingrédients fragiles ou grands, soulevez-les hors du panier avec une pince.  
Pour retirer les ingrédients tels que le bœuf, le poulet, la viande et les ingrédients naturellement gras (dont le gras en excès est collecté au fond du panier), utilisez des pinces et saisissez-les un par un.  
Pour retirer les ingrédients tels que les légumes et les ingrédients non gras, sortez le panier et versez les ingrédients dans un plat.
12. L'appareil peut immédiatement être utilisé pour frire un second lot d'aliments si désiré.

## CONSEILS DE CUISSON

1. La quantité optimale de frites à frire à la fois est de 600 - 800 grammes.
2. Ajoutez 3 minutes de plus à la durée de la préparation quand l'appareil est froid ou vous pouvez aussi laisser l'appareil préchauffer pendant 4 minutes environ sans ingrédient à l'intérieur.

3. Certains ingrédients nécessitent d'être secoués à mi-cuisson. Pour secouer ou retourner les ingrédients, tirez le panier hors de l'appareil en saisissant sa poignée et secouez-le ou retournez les ingrédients avec une fourchette (ou une pince). Puis réinsérez le panier dans l'appareil.
4. La friteuse ne peut pas être utilisée pour réchauffer les ingrédients. Pour réchauffer les ingrédients, sélectionnez une température de 150 °C pour une durée de 10 minutes.
5. Les aliments recouverts de panure deviendront plus croquants si vous les recouvrez d'une petite quantité d'huile végétale.
6. Placez un moule ou un plat de four dans l'appareil si vous voulez cuire un gâteau, une quiche ou d'autres préparations fragiles.
7. Ne préparez pas d'ingrédients extrêmement gras (par exemple des saucisses) dans l'appareil.

#### ATTENTION

1. Ne pas immerger l'appareil ou le rincer sous le robinet.
2. Ne pas verser d'eau à l'intérieur de l'appareil, pour éviter les risques de choc électrique ou de court-circuit.
3. Veiller à ce que les aliments ne débordent pas du panier, pour éviter tout contact avec les éléments chauffants.
4. Ne pas bloquer l'entrée ni la sortie d'air lorsque l'appareil est en fonctionnement. Laissez un espace vide de 10 cm autour et au-dessus de l'appareil.
5. Remplir le panier avec de l'huile peut provoquer un incendie !
6. Ne touchez pas l'intérieur de l'appareil quand il est en fonctionnement.
7. L'appareil peut laisser échapper de l'air très chaud à son ouverture.
8. De l'air chaud est relâché par la sortie d'air pendant le fonctionnement. Veillez à ne pas approcher ni vos mains ni votre visage de l'appareil en fonctionnement.
9. Éteignez et débranchez immédiatement l'appareil si vous voyez de la fumée noire sortir de l'appareil, car cela indique que les ingrédients sont trop cuits ou que l'appareil est en panne.

#### TABLEAU DE DURÉES DE FRITURE

Le tableau de friture ci-après indique les quantités d'aliments ainsi que la température et le temps de friture respectifs requis. Respectez les instructions fournies sur l'emballage de vos aliments si elles diffèrent de celles fournies dans le tableau.

Aliment	Quantité min-max (g)	Durée (minutes)	Température (°C)	Agiter	Remarques
Frites minces surgelées	450-1000	9-25	200	Agiter	
Frites épaisses surgelées	450-1000	11-25	200	Agiter	
Frites maison (8x8 mm)	450-1200	10-25	200	Agiter	Ajouter 1/2 cuillère à café d'huile
Quartiers de pommes de terre maison	450-1200	18-22	180	Agiter	Ajouter 1/2 cuillère à café d'huile
Cubes de pommes de terre maison	450-1100	12-18	180	Agiter	Ajouter 1/2 cuillère à café d'huile
Rosti	350	15-18	180	Agiter	
Gratin de pommes de terre	750	15-18	200	Agiter	
Steak	150-750	8-12	180	-	
Côtes de porc	150-750	10-14	180	-	
Hamburger	150-750	7-14	200	-	
Roulé à la saucisse	150-750	13-15	200	-	
Pilons de poulet	150-750	15-22	200	--	
Blanc de poulet	150-750	10-15	200	-	

Rouleaux de printemps pour le four	150-600	8-10	200	Agiter	Utiliser des
Nuggets de poulet surgelés pour le four	150-750	6-10	200	Agiter	Utiliser des
Bâtonnets de poisson surgelés pour le four	150-600	6-10	200	-	Utiliser des
Snacks de fromage panés	150-600	8-10	180	-	Utiliser des
Légumes farcis pour le four	150-600	10	160	-	
Gâteau	450	20-25	160	-	Utilisez un moule à gâteaux
Quiche	600	20-22	180	-	Utilisez un moule à gâteaux/plat de four
Muffins	450	15-18	200	-	Utilisez un moule à gâteaux
Snacks sucrés	600	20	160	-	Utilisez un moule à gâteaux/plat de four

### NETTOYAGE ET ENTRETIEN

1. Attendez 30 minutes pour permettre à l'appareil de refroidir avant de le manipuler ou de le nettoyer. Nettoyez les surfaces internes et externes de l'appareil régulièrement.
2. Nettoyez les surfaces internes et externes de l'appareil avec un chiffon humide, puis séchez-les avec un chiffon sec et doux.
3. Ne jamais utiliser de nettoyeurs ni d'éponges abrasifs.
4. Retirez le panier pour laisser l'appareil refroidir plus rapidement. Nettoyez le panier et la grille à l'eau chaude avec du liquide vaisselle et une éponge non abrasive. Séchez-les complètement avant réutilisation.
5. Nettoyez l'élément chauffant dans le boîtier (vous pouvez le voir après avoir sorti le panier) avec une brosse de nettoyage pour enlever les résidus alimentaires.

Remarque : Le panier et la grille peuvent être lavés au lave-vaisselle.

### DÉPANNAGE

Problème	Cause possible	Solution
<b>L'appareil ne fonctionne pas.</b>	L'appareil n'est pas branché.	Branchez le cordon d'alimentation à une prise murale avec mise à la terre.
	Vous n'avez pas appuyé sur le bouton marche/arrêt pour allumer l'appareil.	Appuyez sur le bouton marche/arrêt pour allumer l'appareil.
<b>Les ingrédients ne sont pas correctement frits.</b>	La quantité d'aliments dans le panier est trop élevée.	Versez de plus petits lots d'aliments dans le panier. Les petits lots sont frits de manière plus homogène.
	La température est trop basse ou le temps de cuisson trop court.	Augmentez la température ou cuisez plusieurs fois.
<b>Les ingrédients sont frits de manière irrégulière.</b>	Certains aliments doivent être mélangés au milieu du temps de cuisson.	Mélangez les aliments au milieu du temps de cuisson.

<b>Les aliments frits ne sont pas croustillants</b>	Vous avez utilisé un type d'aliment qui doit être cuit dans une friteuse traditionnelle.	Utilisez des snacks pour four ou brossez un peu d'huile sur les aliments pour obtenir un résultat plus croustillant
<b>L'appareil émet de la fumée blanche.</b>	Les aliments que vous préparez sont riches en graisse.	Lorsque vous faites frire des aliments gras, l'huile s'écoule dans le panier. L'huile produit une fumée blanche et le panier peut chauffer. Cela n'affecte pas le résultat de la cuisson et ne nuit pas à l'appareil.
	Le panier contient toujours des résidus de graisse provenant d'une utilisation précédente.	Nettoyez correctement le panier après chaque utilisation.
<b>Les frites fraîches sont cuites inégalement</b>	Vous n'avez pas utilisé le bon type de pommes de terre.	Utilisez des pommes de terre fraîches.
	Vous n'avez pas correctement rincé les bâtonnets de pommes de terre avant de les faire frire.	Rincez correctement les frites pour enlever l'amidon de leur surface.
<b>Les frites ne sont pas croustillantes</b>	La texture des frites dépend de la quantité d'huile et d'eau dans les frites	Assurez-vous que les frites ont été séchées correctement avant d'ajouter l'huile.
		Coupez les pommes de terre de façon à obtenir des frites plus minces pour un résultat plus croustillant
		Ajoutez un peu plus d'huile pour que les frites soient bien croustillantes

## DONNÉES TECHNIQUES

Tension de fonctionnement: 220-240V ~ 50/60Hz

Puissance: 1500W

## APPAREIL RESPECTUEUX DE L'ENVIRONNEMENT



Recyclage – Directive européenne 2012/19/EU

Ce symbole indique que le produit ne doit pas être jeté avec les ordures ménagères. Pour limiter les risques pour l'environnement et la santé entraînés par le rejet non contrôlé des déchets, recyclez ce dernier pour promouvoir une réutilisation responsable de ses matériaux. Pour recycler votre produit, utilisez les réseaux de collecte de votre région ou prenez contact avec le revendeur

du produit. Ce dernier pourra vous aider à le recycler.

Emerio Holland B.V.

Zomervaart 1A

2033 DA Haarlem

The Netherlands

T: +31(0)23 3034369

## **SICHERHEITSHINWEISE**

Lesen Sie vor dem Gebrauch unbedingt die nachfolgenden Anleitungen, um Verletzungen oder Beschädigungen zu vermeiden und das beste Ergebnis mit dem Gerät zu erzielen. Bewahren Sie diese Bedienungsanleitung an einem sicheren Ort auf. Wenn Sie dieses Gerät an eine andere Person weitergeben, stellen Sie sicher, dass Sie auch diese Bedienungsanleitung aushändigen.

Im Falle von Beschädigungen, die durch die Missachtung der Anleitungen in dieser Bedienungsanleitung verursacht wurden, wird die Garantie ungültig. Der Hersteller/Importeur haftet nicht für Schäden, die durch Missachtung der Bedienungsanleitung, fahrlässigen Gebrauch oder Benutzung, die nicht in Übereinstimmung mit den Anforderungen dieser Bedienungsanleitung erfolgt, verursacht wurden.

1. Dieses Gerät kann von Kindern ab 8 Jahren und Personen mit eingeschränkten körperlichen, sensorischen oder geistigen Fähigkeiten oder mangelnder Erfahrung und Kenntnis benutzt werden, wenn sie beaufsichtigt werden oder in die sichere Benutzung des Gerätes unterwiesen werden und die damit verbundenen Gefahren verstehen.
2. Kinder dürfen nicht mit dem Gerät spielen.
3. Die Reinigung und vom Benutzer auszuführende Wartungsarbeiten sollten nicht von Kindern durchgeführt werden; es sei denn, sie sind älter als 8 Jahre und werden beaufsichtigt.
4. Halten Sie das Gerät und sein Netzkabel außer Reichweite von Kindern unter 8 Jahren.
5. Wenn das Netzkabel beschädigt ist, muss es vom Hersteller, seinem Kundendienst oder einer ähnlich qualifizierten Person ausgewechselt werden, um Gefahren zu vermeiden.

6. Um Informationen zur Reinigung der Flächen zu erhalten, die mit Lebensmitteln oder Öl in Berührung kommen, lesen Sie bitte den Abschnitt „REINIGUNG UND INSTANDHALTUNG“ in der Bedienungsanleitung.
7. Dieses Gerät ist für die Verwendung im Haushalt oder für ähnliche Anwendungen vorgesehen, wie: in Personalküchen von Geschäften, Büros und anderen Arbeitsumgebungen; auf Bauernhöfen; von Kunden in Hotels, Motels und in anderen Unterkünften; in Unterkünften mit Halbpension.
8. Dieses Gerät ist nicht für die Bedienung über einen externen Timer oder ein separates Fernbedienungssystem bestimmt.
9. Bevor Sie den Stecker mit der Netzsteckdose verbinden, prüfen Sie bitte, ob die Spannung und die Frequenz mit den Angaben auf dem Typenschild übereinstimmen.
10. Ziehen Sie den Netzstecker aus der Steckdose, wenn das Gerät nicht benutzt und bevor es gereinigt wird.
11. Falls ein Verlängerungskabel verwendet wird, muss es für den Stromverbrauch des Gerätes geeignet sein, sonst kann es zum Überhitzen des Verlängerungskabels und/oder des Steckers kommen. Es besteht Verletzungsgefahr durch Stolpern über das Verlängerungskabel. Lassen Sie Vorsicht walten, um gefährliche Situationen zu vermeiden.
12. Achten Sie darauf, dass das Netzkabel nicht über scharfe Kanten hängt und halten Sie es von heißen Objekten und offenen Flammen fern.
13. Tauchen Sie das Gerät oder den Netzstecker nicht in Wasser oder andere Flüssigkeiten. Es besteht Lebensgefahr aufgrund von Stromschlag!
14. Um den Stecker aus der Steckdose zu entfernen, ziehen Sie am Stecker. Ziehen Sie nicht am Kabel.

15. Berühren Sie das Gerät nicht, wenn es ins Wasser gefallen ist. Ziehen Sie den Stecker aus der Steckdose, schalten Sie das Gerät aus und schicken Sie es an einen autorisierten Kundendienst zwecks Reparatur.
16. Den Netzstecker des Gerätes nicht mit einer nassen Hand aus der Steckdose ziehen oder mit der Steckdose verbinden.
17. Versuchen Sie unter keinen Umständen, das Gehäuse des Gerätes zu öffnen oder das Gerät selbst zu reparieren. Dies könnte einen Stromschlag verursachen.
18. Lassen Sie das Gerät während des Gebrauchs niemals unbeaufsichtigt.
19. Dieses Gerät ist nicht für den gewerblichen Gebrauch konzipiert.
20. Verwenden Sie das Gerät nur zu seinem bestimmungsgemäßen Zweck.
21. Wickeln Sie das Kabel nicht um das Gerät und knicken Sie es nicht.
22. Stellen Sie das Gerät auf eine stabile, ebene Fläche, von der es nicht herunterfallen kann.
23. Bitte schützen Sie das Produkt vor übermäßiger Verschmutzung und Feuchtigkeit.
24. Reinigen Sie das Produkt selbst mit einem leicht angefeuchteten Tuch.
25. Lassen Sie das Gerät nicht unbeaufsichtigt laufen. Wenn Sie den Arbeitsplatz verlassen, schalten Sie das Gerät immer aus oder ziehen Sie den Stecker aus der Steckdose (ziehen Sie direkt am Stecker, nicht am Kabel).
26. Das Gerät nicht an eine Wand oder ein anderes Gerät stellen. Lassen Sie mindestens 10 cm Platz an Rückseite, Seiten und über dem Gerät.
27. Beim Frittieren mit Heißluft entweicht heißer Dampf durch die Luftaustrittsöffnungen. Halten Sie Ihre Hände und Ihr Gesicht in einem sicheren Abstand zum Dampf

und zu den Luftaustrittsöffnungen. Nehmen Sie sich auch vor heißem Dampf und heißer Luft in Acht, wenn Sie den Behälter aus dem Gerät entfernen.

28. Ziehen Sie sofort den Stecker des Gerätes aus der Steckdose, wenn Sie dunklen Rauch aus dem Gerät kommen sehen. Warten Sie, bis kein Rauch mehr zu sehen ist, bevor Sie den Behälter aus dem Gerät nehmen.
29. Vergewissern Sie sich vor jedem Gebrauch des Gerätes, dass das Heizelement und die Umgebung sauber und frei von Speiseresten sind, um eine einwandfreie Funktion zu gewährleisten.

30.



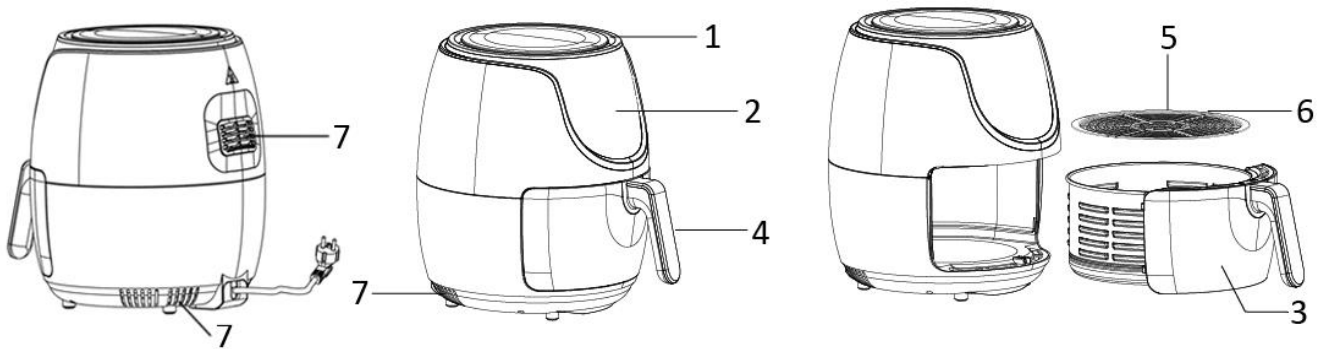
Vorsicht – heiße oberfläche

**WARNUNG!!** Bitte berühren Sie während des Gebrauchs nicht die Oberfläche. Die Temperatur der zugänglichen Oberflächen kann sehr hoch sein, wenn das Gerät in Betrieb ist.

31. Aus dem Lüftungsschlitz an der Rückseite des Gerätes kommt heiße Luft. Achten Sie darauf, ausreichend Abstand zu Material, das hitzeempfindlich ist, wie zum Beispiel Glas, einzuhalten.
32. Wenn Sie Produkte mit Antihafbeschichtung benutzen, stellen Sie bitte sicher, dass sich keine Vögel im gleichen Zimmer befinden und dass das Zimmer komplett geschlossen und gut belüftet werden kann.

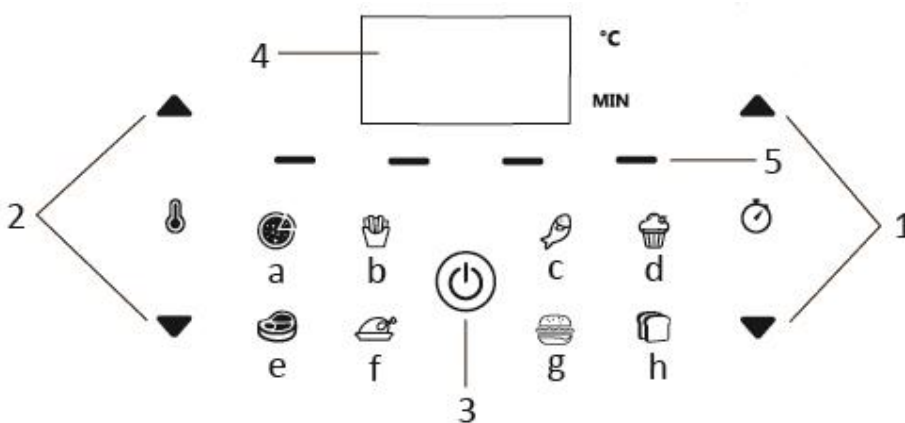


## TEILEBESCHREIBUNG



1. Lufteinlass
2. Bedienfeld und Display
3. Einsatz
4. Einsatzgriff
5. Bratrost
6. Silikonvorsprung
7. Luftauslass

## Bedienfeld und Display



1. Timer-Steuerung (auf „▲“ oder „▼“ drücken, um die Zeit von 1 bis 60 Minuten einzustellen)
2. Temperatur-Steuerung (auf „▲“ oder „▼“ drücken, um die Temperatur auf einen Wert zwischen 80 und 200 °C einzustellen)
3. Ein/Aus-Taste
4. Timer- und Temperaturanzeige
5. Kontrollleuchte

### Menütasten:

- a). Pizza, b). Pommes frites, c). Fisch, d). Kuchen,  
e). Fleisch, f). Hähnchen, g). Hamburger, h). Brot

## VOR DEM GEBRAUCH

Lesen Sie vor Gebrauch zuerst alle Anweisungen durch und bewahren Sie diese für späteres Nachschlagen auf. Schließen Sie dieses Gerät ausschließlich an eine geerdete Steckdose an. Entfernen Sie vor der Erstinutzung das Verpackungsmaterial. Frittierkorb und Bratrost reinigen. (siehe "Reinigung und Instandhaltung"). Reinigen Sie das Gerät innen und außen mit einem weichen Tuch. Achten Sie hierbei darauf, dass die elektrischen Bauteile

trocken bleiben. **Dieses Gerät erhitzt Lebensmittel vollständig und für die meisten Zutaten kann auf eine Hinzugabe von Öl verzichtet werden.**

Vor dem ersten Gebrauch das Gerät etwa 10 Minuten lang einschalten, damit sich durch die Hitze die Produktionsrückstände verflüchtigen. Auf eine gute Belüftung achten. Nach dem ersten Einschalten steigt vom Gerät etwas Rauch auf und ein markanter Geruch macht sich bemerkbar. Das ist normal und geht schnell vorbei.

**Hinweis:** Benutzen Sie den Bratrost immer so, dass die Silikonvorsprünge befestigt sind. Sie stabilisieren den Bratrost während des Garvorgangs im Frittierkorb.

## GEBRAUCH

1. Stellen Sie das Gerät auf eine trockene, feste und hitzebeständige Fläche.
2. Das Gerät wird während des Gebrauchs heiß; stellen Sie es daher nicht in die unmittelbare Nähe anderer Objekte.
3. Ziehen Sie den Frittierkorb am Frittierkorbgriff aus dem Gerät. Stellen Sie den Bratrost in den Frittierkorb.
4. Speisen in den Frittierkorb geben. (Überschreiten Sie nicht die MAX-Markierung im Inneren des Einsatzes.) Frittierkorb in das Gerät schieben. Achten Sie darauf, dass der Korb korrekt eingesetzt und das Gerät komplett geschlossen ist. Andernfalls wird das Gerät nicht funktionieren. Vorsicht: Berühren Sie den Frittierkorb nicht während des Betriebs oder kurz nach dem Betrieb, da er sehr heiß wird. Fassen Sie den Frittierkorb nur am Griff an.
5. Schließen Sie den Netzstecker an eine passende Steckdose an. Das Gerät ist nun im Stand-by-Modus.
6. Drücken Sie einmal die Ein-/Aus-Taste. Drücken Sie dann „▲“ oder „▼“, um die gewünschte Temperatur (5 Grad je Tastendruck) und die Garzeit (1 Minute je Tastendruck) für die Zutaten einzustellen. Sie können „▲“ oder „▼“ auch gedrückt halten, um die Einstellung schneller vorzunehmen.
7. Sie können auch durch Drücken der Menütaste die Garfunktion aus Pizza, Pommes frites, Fisch, Kuchen, Fleisch, Hähnchen, Hamburger und Brot direkt auswählen. Wenn Sie Zeit und Temperatur etwas anpassen möchten, drücken Sie bitte „▲“ oder „▼“, um Anpassungen vorzunehmen.
8. Drücken Sie erneut die Ein-/Aus-Taste. Das Gerät ist nun aktiviert. Die Kontrollleuchte blinkt durchlaufend.
9. Wenn der Garvorgang vollständig abgeschlossen ist, hört das Gebläse auf zu laufen. Sie können das Gerät auch manuell durch Drücken der Ein-/Aus-Taste ausschalten. Das Gebläse hört nach einigen Sekunden auf zu laufen.
10. Nehmen Sie den Einsatz am Einsatzgriff aus dem Gerät heraus. Prüfen Sie, ob die Zutaten gar sind. Falls nicht, schieben Sie den Einsatz einfach wieder in das Gerät. Stellen Sie Temperatur und Zeit auf einige extra Minuten ein. Drücken Sie dann die Ein-/Aus-Taste, um das Gerät wieder einzuschalten. HINWEIS: Sie können auch während des Garvorgangs den Frittierkorb herausziehen, um die Zutaten zu prüfen und zu schütteln. Wenn Sie den Frittierkorb wieder zurückschieben, setzt das Gerät den Betrieb mit den gewählten Einstellungen fort.
11. Leeren Sie den Einsatz und legen Sie die Speisen in eine Schüssel oder auf einen Teller. Nehmen Sie große oder zerbrechliche Zutaten mithilfe einer Zange aus dem Einsatz.  
Nehmen Sie solche Speisen wie z. B. Rindfleisch, Huhn, andere Fleischsorten oder fetthaltige Speisen (das überschüssige Fett der Speisen sammelt sich auf dem Boden des Frittierkorbs) bitte einzeln mit einer Zange heraus.  
Ziehen Sie zum Herausnehmen von solchen Speisen wie z.B. Pommes frites, Gemüse oder nicht fetthaltige Zutaten den Frittierkorb heraus und geben Sie die Speisen auf das Geschirr.
12. Nach beendetem Garen ist das Gerät sofort für die Zubereitung einer weiteren Zutatenportion bereit.

## FRITTIERTIPPS

1. Die optimale Menge für knusprige Pommes frites ist 600 - 800 Gramm.

2. Verlängern Sie die Zubereitungszeit um 3 Minuten, wenn das Gerät kalt ist, oder heizen Sie das leere Gerät ungefähr 4 Minuten lang vor.
3. Manche Speisen müssen nach der Hälfte der Garzeit geschüttelt werden. Um die Speisen zu schütteln oder umzudrehen, ziehen Sie den Frittierkorb am Griff aus dem Gerät und schütteln Sie ihn oder drehen Sie die Speisen mit einer Gabel (oder Zange) um. Schieben Sie dann den Frittierkorb zurück ins Gerät.
4. Sie können die Fritteuse auch für das Wiedererwärmen von Zutaten verwenden. Stellen Sie die Temperatur zum Aufwärmen von Speisen für 10 Minuten auf 150 °C ein.
5. Panierte Speisen werden knuspriger, wenn sie mit etwas Pflanzenöl eingesprüht werden.
6. Stellen Sie eine Backform oder eine Auflaufform in das Gerät, wenn Sie einen Kuchen, eine Quiche oder andere mürbe Speisen backen möchten.
7. Bereiten Sie keine extrem fettigen Speisen, wie zum Beispiel Würstchen, in dem Gerät zu.

#### **VORSICHT:**

1. Tauchen Sie das Gehäuse nicht ins Wasser und spülen Sie es nicht unter dem Wasserhahn ab.
2. Vermeiden Sie das Eindringen von Flüssigkeiten in das Gerät, um einen Stromschlag oder Kurzschluss zu verhindern.
3. Geben Sie die Zutaten ausschließlich in den Einsatz und vermeiden Sie so, dass die Zutaten in Kontakt mit den Heizelementen kommen.
4. Der Luftein- und -auslass darf während der Betriebszeit des Geräts nicht abgedeckt werden. Lassen Sie mindestens 10 cm Platz rund um und über dem Gerät.
5. Es besteht die Gefahr eines Feuers, wenn der Frittierinsatz mit Öl gefüllt wird!
6. Berühren Sie nicht die Innenseite des Gerätes, wenn es läuft.
7. Vorsicht mit heißem Dampf und heißer Luft, wenn der Einsatz aus dem Gerät genommen wird.
8. Während des Betriebs strömt heißer Dampf aus dem Luftauslass. Halten Sie mit Händen und Gesicht einen sicheren Abstand zum Luftauslass und Dampf.
9. Schalten Sie das Gerät sofort aus und ziehen Sie den Gerätestecker aus der Steckdose, wenn Sie dunklen Rauch aus dem Gerät quellen sehen. Das bedeutet, dass die Speisen verbrannt sind oder dass Fehlfunktionen auftreten.

#### **FRITTIER-TABELLE**

In dieser Tabelle sind die Lebensmittelmengen, die erforderlichen Temperaturen und Frittierzeiten angegeben. Falls die Anweisungen auf der jeweiligen Produktverpackung von den Tabellenwerten abweichen sollten, sind die Anweisungen auf der Verpackung zu befolgen.

<b>Lebensmittel</b>	<b>Min. – Max. Menge(gr.)</b>	<b>Zeit (Min.)</b>	<b>Temperatur (°C)</b>	<b>Schütteln</b>	<b>Anmerkungen</b>
Dünne gefrorene Pommes frites	450-1000	9-25	200	schütteln	
Dicke gefrorene Pommes frites	450-1000	11-25	200	schütteln	
Selbst gemachte Pommes frites (8 x 8 mm)	450-1200	10-25	200	schütteln	½ EL Öl hinzufügen
Selbst gemachte Kartoffelecken	450-1200	18-22	180	schütteln	½ EL Öl hinzufügen
Selbst gemachte Kartoffelwürfel	450-1100	12-18	180	schütteln	½ EL Öl hinzufügen
Rösti	350	15-18	180	schütteln	
Kartoffelgratin	750	15-18	200	schütteln	
Steak	150-750	8-12	180	-	
Schweinekoteletts	150-750	10-14	180	-	
Hamburger	150-750	7-14	200	-	
Würstchen im	150-750	13-15	200	-	

Schlafrock					
Hähnchenschlegel	150-750	15-22	200	--	
Hühnerbrust	150-750	10-15	200	-	
Frühlingsrollen	150-600	8-10	200	schütteln	ofenfertige verwenden
Gefrorene Hühnchennuggets	150-750	6-10	200	schütteln	ofenfertige verwenden
Gefrorene Fischstäbchen	150-600	6-10	200	-	ofenfertige verwenden
Gefrorene panierte Käse-Snacks	150-600	8-10	180	-	ofenfertige verwenden
Gefülltes Gemüse	150-600	10	160	-	
Kuchen	450	20-25	160	-	Backform benutzen
Quiche	600	20-22	180	-	Backform/Auflaufform benutzen
Muffins	450	15-18	200	-	Backform benutzen
Süße Snacks	600	20	160	-	Backform/Auflaufform benutzen

### REINIGUNG UND INSTANDHALTUNG

1. Lassen Sie das Gerät für ca. 30 Minuten abkühlen, bevor Sie es anfassen oder säubern. Reinigen Sie das Gerät regelmäßig von innen und außen.
2. Säubern Sie die Außen- und Innenseite des Geräts mit einem feuchten Tuch und reiben Sie es mit einem weichen, sauberen Tuch trocken.
3. Keinesfalls scheuernde Reiniger oder Schwämme verwenden.
4. Nehmen Sie den Frittierkorb heraus, damit sich das Gerät schneller abkühlen kann. Waschen Sie den Frittierkorb und Bratrost in heißem Wasser mit Geschirrspülmittel und einem nicht scheuernden Schwamm ab. Vor dem Gebrauch gründlich abtrocknen.
5. Entfernen Sie etwaige Speisereste vom Heizelement im Gehäuse (wird nach der Entnahme des Frittierkorbs sichtbar) mit einer Reinigungsbürste.

Hinweis: Frittierkorb und Bratrost sind spülmaschinenfest.

### FEHLERBEHEBUNG

Problem	Mögliche Ursache	Lösung
<b>Das Gerät funktioniert nicht.</b>	Das Gerät ist nicht am Strom angeschlossen.	Den Netzstecker an eine geerdete Wand-Steckdose anschließen.
	Sie haben die Ein/Aus-Taste nicht gedrückt, um das Gerät einzuschalten.	Drücken Sie die Ein/Aus-Taste, um das Gerät einzuschalten.
<b>Die Zutaten sind nicht durchgegart.</b>	Die Menge der Lebensmittel im Frittierereinsatz ist zu groß.	Geben Sie kleinere Mengen der Zutaten in den Einsatz. Kleinere Mengen werden gleichmäßiger gegart.
	Die Temperatur ist zu niedrig oder die Zeit zu kurz eingestellt.	Temperatur erhöhen oder Garvorgang verlängern.
<b>Die Zutaten sind ungleichmäßig frittiert.</b>	Verschiedene Lebensmittelarten müssen in der Hälfte der Zubereitungszeit geschüttelt werden.	Schütteln Sie die Lebensmittel während der Hälfte der Zubereitungszeit.
<b>Die gebratenen Snacks sind nicht knusprig.</b>	Sie haben eine Art Snacks benutzt, die in einer traditionellen Fritteuse frittiert werden sollten.	Verwenden Sie Ofen-Snacks oder streichen Sie ein bisschen Öl auf die Snacks für ein knusprigeres Resultat.
<b>Aus dem Gerät steigt weißer Rauch.</b>	Sie bereiten fettige Zutaten zu.	Wenn Sie fettige Zutaten garen, läuft Öl in den Einsatz. Durch das Öl entsteht weißer Rauch, und der

		Einsatz kann sich erhitzen. Das Garergebnis wird dadurch nicht beeinträchtigt, und das Gerät wird nicht beschädigt.
	Der Korb enthält noch Fettreste vom vorherigen Gebrauch.	Den Korb nach jedem Gebrauch reinigen.
<b>Frische Pommes Fritten sind ungleichmäßig frittiert.</b>	Sie haben nicht die richtige Kartoffelsorte verwendet.	Frische Kartoffeln verwenden.
	Sie haben die Kartoffelstäbchen vor dem Frittieren nicht gründlich abgespült.	Spülen Sie die Kartoffelstäbchen richtig ab, um Stärke von der Außenseite der Stäbchen zu entfernen.
<b>Frische Pommes sind nicht knusprig.</b>	Die Knusprigkeit der Pommes hängt vom Gehalt an Öl und Wasser in den Pommes ab.	Achten Sie darauf, dass die Kartoffelstäbchen richtig abgetrocknet wurden, bevor Sie Öl hinzufügen.
		Schneiden Sie die Kartoffelstückchen kleiner für ein knusprigeres Resultat.
		Fügen Sie für ein knusprigeres Resultat etwas mehr Öl hinzu.

#### TECHNISCHE DATEN

Betriebsspannung: 220-240V ~ 50/60Hz

Leistung: 1500W

#### UMWELTGERECHTE ENTSORGUNG



Wiederverwertung – Europäischen Richtlinie 2012/19/EG

Dieses Symbol zeigt an, dass das Produkt nicht zusammen mit Haushaltsabfällen entsorgt werden darf. Um Umwelt- und Gesundheitsschäden durch unkontrollierte Abfallentsorgung zu verhindern,

bitte verantwortungsbewusst entsorgen, um die nachhaltige Wiederverwertung von Ressourcen zu fördern. Nutzen Sie zur Rückgabe Ihres Altgeräts bitte die Rückgabe- und Sammelsysteme oder wenden Sie sich an den Händler bei dem Sie dieses Gerät erworben haben. Dieser kann das Gerät umweltschonend entsorgen.

Emerio Holland B.V.

Zomervaart 1A

2033 DA Haarlem

The Netherlands

T: +31(0)23 3034369

## **INSTRUKCJE DOTYCZĄCE BEZPIECZEŃSTWA**

Aby nie dopuścić do urazów lub uszkodzeń oraz aby maksymalnie wykorzystać możliwości urządzenia, przed rozpoczęciem jego użytkowania należy przeczytać wszystkie poniższe zalecenia. Niniejszą instrukcję należy przechowywać w bezpiecznym miejscu. W przypadku przekazania lub odstąpienia komuś tego urządzenia, do urządzenia należy dołączyć również tę instrukcję.

W przypadku uszkodzenia spowodowanego nieprzestrzeganiem przez użytkownika zaleceń podanych w niniejszej instrukcji gwarancja nie ma zastosowania. Producent/importer nie ponosi odpowiedzialności za szkody spowodowane nieprzestrzeganiem podanych w instrukcji zaleceń, zaniedbaniami oraz użytkowaniem w sposób niezgodny z wymaganiami opisanymi w instrukcji.

1. Pod warunkiem zapewnienia odpowiedniego nadzoru, pouczenia na temat bezpiecznej obsługi i dopilnowania zrozumienia zagrożeń, urządzenie może być używane przez dzieci w wieku od lat 8, osoby o ograniczeniach fizycznych, czuciowych lub psychicznych, a także osoby, którym brak jest doświadczenia lub wiedzy.
2. Dzieci nie powinny bawić się urządzeniem.
3. Dzieci mogą wykonywać czynności związane z czyszczeniem i konserwacją tylko pod warunkiem ukończenia 8 lat i tylko pod nadzorem osoby dorosłej.
4. Urządzenie i jego kabel należy trzymać w miejscu niedostępnym dla dzieci do lat 8.
5. Jeżeli kabel zasilający zostanie uszkodzony, aby uniknąć niebezpiecznych sytuacji, należy go wymienić. Wymiany powinien dokonać producent, przedstawiciel jego serwisu lub inne osoby o podobnych kwalifikacjach.
6. Zalecenia dotyczące czyszczenia powierzchni mających kontakt z żywnością lub olejem podano w instrukcji w części „CZYSZCZENIE I KONSERWACJA”.

7. To urządzenie jest przeznaczone do użytku domowego lub podobnego do domowego: kuchnie personelu sklepów, biura oraz środowiska pracownicze, fermy, klienci w hotelach, motele oraz inne typy środowisk mieszkalnych, pokoje ze śniadaniem.
8. To urządzenie nie jest przystosowane do sterowania za pomocą zewnętrznego minutnika lub oddzielnego pilota.
9. Przed włożeniem wtyczki do kontaktu, należy sprawdzić, czy napięcie i częstotliwość są zgodne ze specyfikacją podaną na tabliczce znamionowej.
10. Przed czyszczeniem i na czas, gdy urządzenie nie jest używane, należy wyjąć wtyczkę z kontaktu.
11. Jeżeli jest używany przedłużacz, musi on być dostosowany do mocy pobieranej przez urządzenie. W przeciwnym wypadku może dojść do przegrzania się przedłużacza i/lub wtyczki. Istnieje potencjalne ryzyko urazów na skutek potknięcia się o przewód zasilający. Zachowaj ostrożność, by uniknąć niebezpiecznych sytuacji.
12. Należy dopilnować, aby kabel zasilający nie zwisał z ostrych krawędzi. Należy go trzymać z dala od gorących przedmiotów i otwartych płomieni.
13. Urządzenia i wtyczki kabla zasilającego nie wolno zanurzać w wodzie lub innych płynach. Ryzyko utraty życia wskutek porażenia prądem!
14. W celu wyjęcia wtyczki z kontaktu należy ciągnąć za wtyczkę. Nie należy ciągnąć za kabel zasilający.
15. Jeśli urządzenie wpadnie do wody, nie wolno go dotykać. Należy wyjąć wtyczkę z kontaktu, wyłączyć urządzenie i wysłać je do autoryzowanego punktu serwisowego w celu dokonania naprawy.
16. Nie należy mokrą ręką wkładać wtyczki urządzenia do kontaktu lub wyjmować jej z niego.
17. Nigdy nie należy próbować otwierać obudowy urządzenia lub samodzielnie urządzenie naprawić. Mogłoby to doprowadzić do porażeniem prądem.

18. W czasie użytkowania nie należy nigdy zostawiać urządzenia bez nadzoru.
19. Urządzenie nie zostało zaprojektowane do użytku komercyjnego.
20. Urządzenia nie należy używać do celów, do których nie jest ono przeznaczone.
21. Kabla nie należy owijać wokół urządzenia ani zaginać.
22. Urządzenie należy ustawić na stabilnej i płaskiej powierzchni, z której nie będzie ono mogło spaść.
23. Produkt należy chronić przed nadmiernym zabrudzeniem i wilgocią.
24. Produkt należy czyścić lekko zwilżoną ściereczką.
25. Nie należy zostawiać włączonego urządzenia bez nadzoru; opuszczając miejsce pracy użytkownik powinien zawsze wyłączyć urządzenie lub wyjąć wtyczkę z kontaktu (należy ciągnąć za wtyczkę, a nie za przewód).
26. Nie umieszczaj urządzenia przy ścianie lub innym urządzeniu, Pozostaw co najmniej 10 cm wolnego odstępu między tyłem, bokami i górą urządzenia.
27. W trakcie smażenia gorącym powietrzem, z otworów wylotu powietrza wydobywa się gorąca para. Nie zbliżaj rąk ani twarzy do pary i otworów wylotu powietrza. Uważaj na gorącą parę oraz powietrze, gdy wyjmujesz koszyk z urządzenia.
28. Odłącz natychmiast urządzenie z gniazdka, jeśli czarny dym zacznie wydobywać się z urządzenia, Oczekaj, aż dym całkowicie przestanie się wydobywać i wyjmij koszyk z urządzenia.
29. Przed każdym użyciem urządzenia upewnij się, że element grzejący oraz otoczenie są czyste i pozbawione resztek potraw, by zapewnić poprawne działanie.

30.



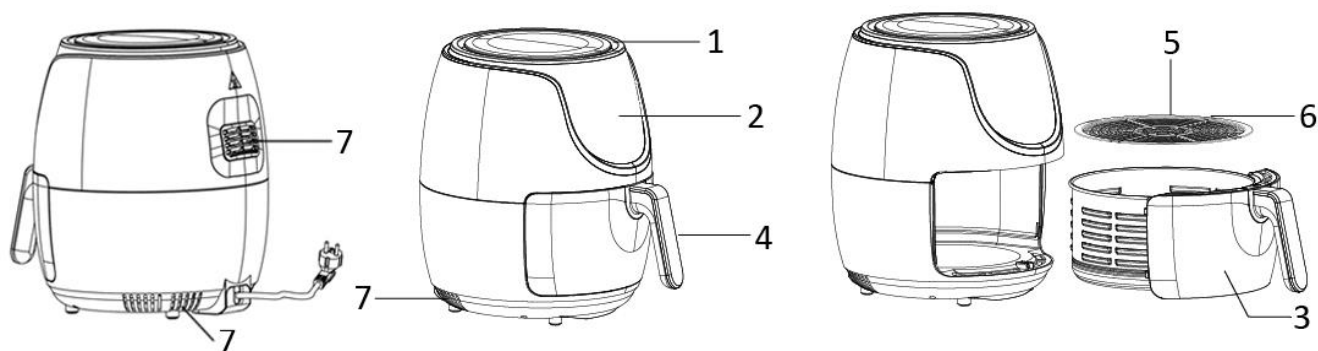
Uwaga, gorąca powierzchnia.



**OSTRZEŻENIE!!** Nie dotykać powierzchni podczas użytkowania. W czasie pracy urządzenia temperatura dostępnych powierzchni może być wysoka.

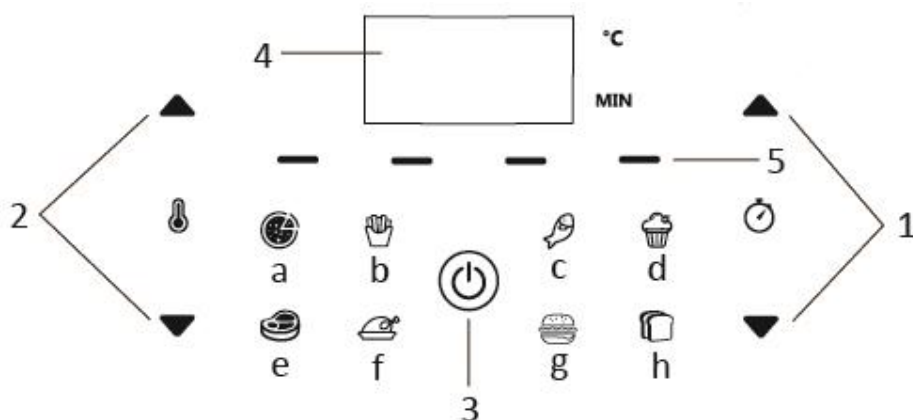
31. Przez otwór wentylacyjny z tyłu urządzenia wydostaje się gorące powietrze. Należy koniecznie zapewnić wystarczającą odległość od materiałów wrażliwych na gorąco, takich jak np. szkło.
32. W przypadku używania produktów z powierzchniami nieprzywierającymi, należy dopilnować, aby w tym samym pomieszczeniu nie było ptaków, aby pomieszczenie można było całkowicie zamknąć i aby miało ono zapewnioną dobrą wentylację.

## OPIS CZĘŚCI



1. Wlot powietrza
2. Panel sterowania i wyświetlacz
3. Kosz
4. Uchwyt kosza
5. Ruszt do smażenia
6. Silikonowa osłona
7. Wylot powietrza

## Panel sterowania i wyświetlacz



1. Sterowanie minutnikiem (naciśnięcie przycisku „▲” lub „▼” pozwala ustawić czas w zakresie od 1 do 60 minut)
  2. Sterowanie temperaturą (naciśnięcie przycisku „▲” lub „▼” pozwala ustawić temperaturę w zakresie od 80°C do 200°C)
  3. Przycisk Wł./WYł.
  4. Minutnik i wyświetlacz temperatury
  5. Kontrolka
- Przyciski menu:
- a). pizza, b). frytki, c). ryba, d). ciasto,
  - e). mięso, f). kurczak, g). hamburger, h). chleb

## PRZED UŻYCIEM

Przed użyciem prosimy najpierw przeczytać całą instrukcję. Instrukcję należy zachować na przyszłość. Urządzenie należy podłączać tylko do kontaktu z uziemieniem. Przed pierwszym użyciem należy usunąć wszystkie materiały opakowaniowe. Wyczyścić kosz i ruszt do smażenia. (patrz „CZYSZCZENIE I

KONSERWACJA”). Wytrzeć urządzenie od środka i od zewnątrz miękką szmatką. Upewnić się, że podzespoły elektryczne pozostają suche. **To urządzenie podgrzewa produkty spożywcze. Większość składników nie wymaga dodawania oleju.**

Przed pierwszym użyciem należy uruchomić urządzenie na około 10 minut w celu wypalenia osadów poprodukcyjnych. Należy zapewnić dobrą wentylację. Przy pierwszym włączeniu urządzenia może pojawić się nieco dymu i charakterystycznego zapachu spalenizny. Jest to normalne zjawisko, które szybko minie.

**Uwaga:** Rusztu do smażenia należy zawsze używać z zakrytymi silikonowymi osłonami. Elementy te pomagają ustabilizować ruszt do smażenia w koszu w czasie pieczenia.

## UŻYTKOWANIE

1. Urządzenie ustawić na suchej i stabilnej powierzchni odpornej na wysokie temperatury.
2. Ponieważ w czasie użytkowania urządzenie nagrzewa się i jest gorące, należy dopilnować, aby nie znajdowało się zbyt blisko innych przedmiotów.
3. Wysunąć z urządzenia kosz – w tym celu pociągnąć za uchwyt kosza. Włożyć ruszt do smażenia do kosza.
4. Włożyć składniki do kosza (nie przekraczać poziomu MAX zaznaczonego w koszu). Wsunąć kosz do urządzenia. Upewnić się, że są one prawidłowo włożone i całkowicie zamknięte. Inaczej urządzenie nie włączy się. Uwaga: W czasie użytkowania oraz przez krótki czas po użyciu kosza nie wolno dotykać – kosz nagrzewa się i jest bardzo gorący. Kosz należy trzymać wyłącznie za uchwyt.
5. Podłączyć wtyczkę do odpowiedniego kontaktu. Urządzenie znajduje się w trybie gotowości.
6. Wciśnij przycisk włącz/wyłącz jeden raz. Następnie naciskaj przycisk „▲” lub „▼”, aby ustawić odpowiednią dla składników temperaturę (5 stopni/naciśnięcie) i odpowiedni czas (1 minuta/naciśnięcie). Aby szybko zmieniać wartości, przycisk „▲” lub „▼” można też nacisnąć i przytrzymać.
7. Można też nacisnąć przycisk menu, aby bezpośrednio wybrać funkcję pieczenia spośród następujących: pizza, frytki, ryba, ciasto, mięso, kurczak, hamburger i chleb. Jeśli chcesz ustawić czas i temperaturę, wciśnij „▲” lub „▼”, by dokonać ustawienia.
8. Wciśnij ponownie przycisk wł/wył., urządzenie zacznie działać. Kontrolki zapalą się i będą migać falami.
9. Po zakończeniu całego procesu gotowania dmuchawa przestanie działać. Możesz również wyłączyć urządzenie ręcznie wciskając przycisk wł/wył. Dmuchawa zatrzyma się po kilku sekundach.
10. Chwyć uchwyt koszyka, by go wyjąć z urządzenia. Sprawdź, czy składniki są gotowe. Jeśli nie, włóż po prostu koszyk z powrotem do urządzenia. Ustaw temperaturę i zegar na kilka dodatkowych minut. Następnie wciśnij przycisk wł/wył., by ponownie uruchomić urządzenie. UWAGA: Kosz można też wysunąć, aby sprawdzić składniki i potrząsnąć nimi podczas procesu pieczenia. Po wsunięciu kosza z powrotem, urządzenie wznowi pracę z wybranymi ustawieniami.
11. Opróżnić kosz, przełożyć produkty spożywcze na talerz lub półmisek. Aby wyjąć duże i delikatne składniki, należy je podnieść z kosza szczypcami.  
Aby wyjąć składniki (np. wołowinę, kurczaka, mięso oraz dowolne składniki zawierające olej lub w których nadmiar oleju ze składników zbiera się na dnie kosza), należy użyć szczypec i wyjmować składniki po jednym.  
Aby wyjąć składniki (np. frytki, warzywa lub składniki, w których nie ma nadmiaru oleju), należy wysunąć kosz i przesypać składniki do naczynia.
12. Po zakończeniu smażenia, urządzenie jest natychmiast gotowe do smażenia kolejnej partii składników (w razie potrzeby).

## WSKAZÓWKI DOTYCZĄCE SMAŻENIA

1. Optymalna ilość frytek wynosi 600 - 800 gramów.
2. Jeśli urządzenie jest zimne, do czasu przygotowywania należy dodać 3 dodatkowe minuty, ewentualnie można też pozwolić urządzeniu rozgrzać się przez ok. 4 minuty bez wkładania do środka jakichkolwiek składników.

- Niektóre produkty wymagają potrząśnięcia w połowie czasu przygotowywania. Aby potrząsnąć lub przewrócić produkty, należy wysunąć kosz z urządzenia za uchwyt i potrząsnąć nim lub odwrócić je widelcem (lub szczypcami). Następnie z powrotem wsunąć kosz do urządzenia.
- Frytownicy można też użyć do podgrzewania składników. Aby odgrzać składniki, temperaturę należy nastawić na 150°C, a czas na 10 minut.
- Produkty ze skórką z posypką z kruchego ciasta będą bardziej chrupiące, jeśli posmaruje się je olejem roślinnym.
- Jeśli w urządzeniu ma być pieczone ciasto lub quiche lub inne delikatne składniki, należy włożyć je w formie do pieczenia lub w naczyniu żaroodpornym.
- W urządzeniu nie należy przyrządzać składników wyjątkowo tłustych takich jak kiełbaski.

#### **OSTROŻNIE:**

- Obudowy nie należy zanurzać w wodzie ani wkładać pod bieżącą wodę.
- Należy unikać dostawania się do urządzenia płynów, ponieważ grozi to zwarcie i porażeniem prądem.
- Wszystkie składniki muszą znajdować się w koszu, aby nie było niebezpieczeństwa, że dotkną elementu grzewczego.
- Gdy urządzenie pracuje, nie należy zasłaniać otworów wlotu i wylotu powietrza. Nad górną powierzchnią urządzenia należy zostawić co najmniej 10 cm wolnej przestrzeni.
- Napełnienie kosza olejem grozi pożarem!
- W czasie pracy urządzenia nie należy dotykać wewnętrznych części urządzenia.
- Podczas wyjmowania kosza z urządzenia należy uważać na gorącą parę i gorące powietrze.
- W czasie pracy przez wylot powietrza bucha gorąca para. Ręce i twarz należy trzymać w bezpiecznej odległości od wylotu pary i gorącego powietrza.
- W przypadku pojawienia się czarnego dymu, urządzenie należy natychmiast wyłączyć i odłączyć od zasilania ponieważ oznacza to, że albo produkty przypalają się, albo urządzenie jest niesprawne.

#### **TABELA SMAŻENIA**

W poniższej tabeli zebrano ilości produktów i potrzebne temperatury i czasy smażenia. Jeśli w instrukcji na opakowaniu produktu podane są inne czasy i wartości, należy wówczas postępować zgodnie z instrukcjami na opakowaniu.

<b>Produkt spożywczy</b>	<b>Min-maks. ilość (g)</b>	<b>Czas (min)</b>	<b>Temperatura (°C)</b>	<b>Potrząsanie</b>	<b>Uwagi</b>
Cienkie frytki mrożone	450-1000	9-25	200	potrząsnąć	
Grube frytki mrożone	450-1000	11-25	200	potrząsnąć	
Frytki domowe (8×8 mm)	450-1200	10-25	200	potrząsnąć	Dodać 1/2 łyżki oleju
Domowe tódeczki ziemniaczane	450-1200	18-22	180	potrząsnąć	Dodać 1/2 łyżki oleju
Domowa kostka ziemniaczana	450-1100	12-18	180	potrząsnąć	Dodać 1/2 łyżki oleju
Rosti	350	15-18	180	potrząsnąć	
Zapiekanek ziemniaczana	750	15-18	200	potrząsnąć	
stek	150-750	8-12	180	-	
Kotlety wieprzowe	150-750	10-14	180	-	
Hamburger	150-750	7-14	200	-	
Parówka w cieście	150-750	13-15	200	-	
Paluszki	150-750	15-22	200	-	
Piersi z kurczaka	150-750	10-15	200	-	

Sajgonki	150-600	8-10	200	potrzęsnać	Użyć gotowych do piekarnika
Mrożone nuggetsy z kurczaka	150-750	6-10	200	potrzęsnać	Użyć gotowych do piekarnika
Mrożone paluszki rybne	150-600	6-10	200	-	Użyć gotowych do piekarnika
Mrożone przekąski posypane żółtym serem	150-600	8-10	180	-	Użyć gotowych do piekarnika
Warzywa nadziewane	150-600	10	160	-	
Ciasto	450	20-25	160		Użyć blachy do pieczenia
Quiche	600	20-22	180		Użyć blachy do pieczenia/naczynia żaroodpornego
Bułeczki	450	15-18	200		Użyć blachy do pieczenia
Przekąski na słodko	600	20	160		Użyć blachy do pieczenia/naczynia żaroodpornego

### CZYSZCZENIE I KONSERWACJA

1. Przed czyszczeniem urządzenia należy pozwolić, aby ostygło ono przez 30 minut. Urządzenie należy regularnie czyścić od środka i z zewnątrz.
2. Urządzenie należy czyścić od zewnątrz i od środka wilgotną ściereczką. Polerować suchą ściereczką.
3. Nigdy nie należy używać ścierających środków czyszczących lub gąbek.
4. Aby przyspieszyć stygnięcie urządzenia, należy wyjąć kosz. Wyczyścić kosz i ruszt do smażenia – czyścić nierysującą gąbką w gorącej wodzie z płynem do mycia naczyń. Przed użyciem dokładnie wysuszyć.
5. Wyczyścić element grzewczy w obudowie (widać go po wysunięciu kosza), czyścić szczoteczka, aby usunąć wszelkie resztki produktów spożywczych.

Uwaga: Kosz i ruszt do smażenia można myć w zmywarce.

### ROZWIĄZYWANIE PROBLEMÓW

Problem	Możliwa przyczyna	Rozwiązanie
<b>Urządzenie nie działa.</b>	Urządzenie nie jest podłączone do prądu.	Włożyć wtyczkę do uziemionego gniazdka ściennego.
	Nie wcisnąłeś/wcisnęłaś przycisku wł/wył., by uruchomić urządzenie.	Wciśnij przycisk on/off, aby włączyć urządzenie.
<b>Składniki nie są całkowicie dopieczone.</b>	Zbyt dużo produktów spożywczych w koszu.	Wkładać do kosza mniejsze partie składników. Mniejsze partie składników smażą się bardziej równomiernie.
	Zbyt niska temperatura lub zbyt krótki czas.	Zwiększ temperaturę lub czas gotowania.
<b>Składniki są zapieczone nierówno.</b>	Różne rodzaje produktów mogą wymagać potrząśnięcia w połowie procesu pieczenia.	Potrząsnąć produkty w połowie procesu pieczenia.
<b>Smażone przekąski nie są chrupiące</b>	Użyto przekąsek, które trzeba smażyć w tradycyjnej frytownicy.	Użyć przekąsek przeznaczonych do zapiekania w piekarniku lub lekko posmarować je olejem, aby stały się bardziej chrupiące.

<b>Z urządzenia wydostaje się biały dym.</b>	Użytkownik przygotowuje tłuste produkty.	Podczas smażenia tłustych składników do kosza będzie skapywał olej. Olej wytwarza biały dym, a kosz może się nagrzewać. Nie wpływa to na efekt pieczenia, ani nie jest to szkodliwe dla urządzenia.
	W koszyku znajdują się wciąż resztki tłuszczu z poprzedniego stosowania.	Wyczyść dokładnie kosz po każdym użyciu.
<b>Świeże frytki są nierówno usmażone</b>	Nie użyto odpowiedniego rodzaju ziemniaka.	Użyj świeżych ziemniaków.
	Nie opłukano dokładnie ziemniaków przed smażeniem.	Dobrze wypłukać sticksy ziemniaczane, aby usunąć skrobię z zewnętrznej warstwy sticksów.
<b>Świeże frytki nie są chrupiące</b>	Chrupkość frytek zależy od ilości oleju i wody we frytkach.	Przed dodaniem oleju należy upewnić się, że sticksy ziemniaczane zostały dobrze wysuszone.
		Aby sticksy ziemniaczane były bardziej chrupiące, można je pokroić na cieńsze paski.
		Aby zwiększyć chrupkość, można dodać trochę więcej oleju.

#### DANE TECHNICZNE

Napięcie robocze: 220-240V ~ 50/60Hz

Moc: 1500W

#### USUWANIE PRZYJAZNE ŚRODOWISKU



Recykling – Dyrektywa europejska nr 2012/19/UE

Ten znak oznacza, że urządzenia nie należy wyrzucać razem z innymi odpadami domowymi. Aby zapobiec możliwym szkodom dla środowiska i zdrowia ludzi spowodowanym niekontrolowaną

utylizacją odpadów, poddaj produkt procesowi recyklingu w celu promowania zrównoważonego ponownego wykorzystywania zasobów materiałowych. Aby zwrócić zużyte urządzenie, skorzystaj z systemu oddawania zużytych produktów lub skontaktuj się ze sprzedawcą. Sprzedawca może przyjąć produkt w celu przeprowadzenia bezpiecznego dla środowiska recyklingu.

Emerio Holland B.V.

Zomervaat 1A

2033 DA Haarlem

The Netherlands

T: +31(0)23 3034369

## BEZPEČNOSTNÍ POKYNY

Před použitím si přečtěte přiložený návod, abyste se vyvarovali zranění nebo poškození a docílili se spotřebičem nejlepších výsledků. Uchovejte návod na bezpečném místě. Budete-li předávat spotřebič další osobě, ujistěte se, že byl předán i tento návod.

V případě poškození, která byla způsobena nedodržením pokynů v tomto návodu, nelze uplatnit záruku. Výrobce/dovozce neručí za škody, které vznikly nedodržením návodu k použití, nedbalým používáním, které je v rozporu s požadavky tohoto návodu.

1. Spotřebiče mohou obsluhovat děti od 8 let a osoby se sníženými tělesnými senzoryckými a duševními schopnostmi nebo s nedostatkem zkušeností a znalostí, pokud jsou dozorovány nebo byly upozorněny na bezpečné používání produktu a s tím spojená rizika.
2. Děti si nesmí s produktem hrát.
3. Čištění a údržbu by neměly provádět děti mladší 8 let a bez dozoru.
4. Uchovávejte spotřebič a kabel mimo dosah dětí mladších 8 let.
5. Je-li poškozen síťový kabel, musí ho vyměnit výrobce, servisní služba nebo podobně kvalifikovaná osoba, aby se zabránilo nebezpečí.
6. Pokyny k čištění povrchů, které se dostanou do kontaktu s potravinami, si prosím přečtěte v odstavci „ ČISTĚNÍ A ÚDRŽBA “ v návodu k použití.
7. Tento spotřebič je určen pro použití v domácnosti nebo podobně, jako: ve firemních kuchyňkách, kancelářích a jiných pracovištích; na statcích; smí ho používat zákazníci v hotelech, motelech a ostatních ubytovnách; ubytovacích zařízeních s polopenzí.
8. Tento spotřebič není určen pro obsluhu přes externí časovač nebo oddělený dálkový ovládací systém.

9. Před připojením zařízení do elektrické sítě, zkontrolujte, zda napětí v síti a frekvence odpovídají údajům na typovém štítku.
10. Vytáhněte zástrčku ze zásuvky, když se spotřebič nepoužívá a před jeho údržbou.
11. Pokud se použije prodlužovací šňůra, musí být vhodná pro příkon spotřebiče, jinak by mohlo dojít k přehřátí prodlužovacího kabelu a / nebo zástrčky. Existuje potenciální riziko zranění při zakopnutí přes prodlužovací kabel. Dávejte pozor, abyste se vyhnuli nebezpečným situacím.
12. Ujistěte se, že je napájecí kabel nevisí přes ostré hrany a držte ho dál od horkých povrchů a otevřeného ohně.
13. Neponořujte spotřebič a zástrčku do vody nebo jiných tekutin. Hrozí nebezpečí úrazu elektrickým proudem!
14. K odstranění zástrčky ze zásuvky, tahejte za zástrčku. Nikdy netahejte za kabel.
15. Nedotýkejte se spotřebiče, pokud spadl do vody. Vytáhněte zástrčku z elektrické zásuvky, spotřebič vypněte a pošlete ho na opravu do autorizovaného zákaznického servisu.
16. Zástrčky spotřebiče se nedotýkejte mokřýma rukama při vytahování nebo zapojování do sítě.
17. Za žádných okolností neotvírejte kryt spotřebiče nebo se ho nesnažte sami opravit. To by mohlo způsobit úder elektrickým proudem.
18. Spotřebič nenechávejte nikdy během provozu bez dozoru.
19. Tento přístroj není určen k podnikatelským účelům.
20. Používejte tento spotřebič výhradně pro určený účel.
21. Neomotávejte kabel kolem spotřebiče nebo neohýbejte ho.
22. Umístěte spotřebič na stabilní, rovný povrch, ze kterého nemůže spadnout.
23. Chraňte prosím tento spotřebič před nadměrnými nečistotami nebo vlhkostí.



24. Očistěte přístroj lehce navlhčeným hadříkem.
25. Přístroj neprovozujte bez dozoru, a pokud byste měli opustit pracoviště, vždy vypněte stroj nebo vytáhněte zástrčku ze zásuvky (vytáhněte zástrčku samotnou, nikoliv kabel).
26. Neopírejte přístroj o stěnu nebo o jiný spotřebič. Ponechte nejméně 10 cm volného místa na zadní a boční straně a nad spotřebičem.
27. Při smažení horkým vzduchem se uvolňuje horká pára přes výstupní vzduchové otvory. Udržujte ruce a obličej v bezpečné vzdálenosti od páry a od výstupních vzduchových otvorů. Dávejte pozor i na horkou páru a vzduch, když sejmete pánev ze spotřebiče.
28. Ihned odpojte spotřebič ze zásuvky, pokud z něj vychází tmavý kouř. Počkejte, dokud se tvorba kouře nezastaví, než sejmete pánev ze spotřebiče.
29. Před každým použitím spotřebiče se ujistěte, že topný článek a okolí jsou čisté a bez jakéhokoliv zbytku jídla, aby byla zajištěna bezchybná funkce.

30.

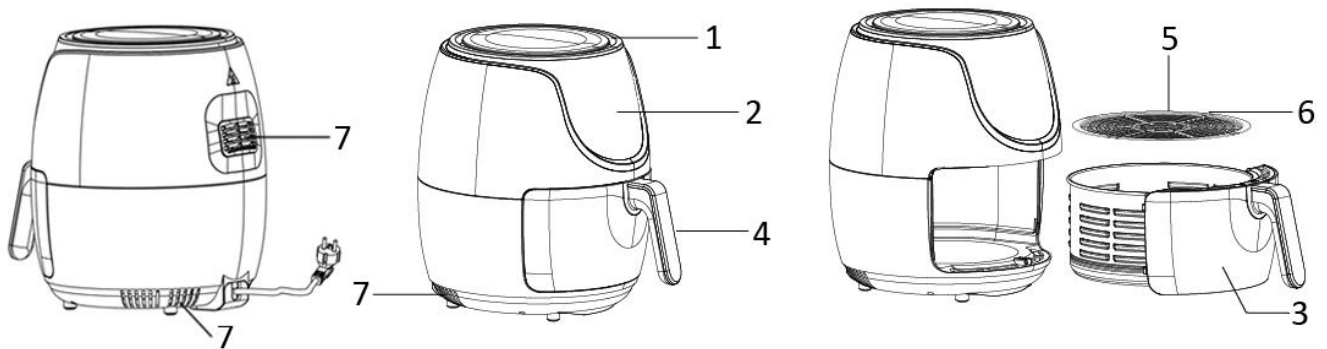


Pozor, horký povrch.

**VAROVÁNÍ!** Prosím, během používání se nedotýkejte povrchu. Teplota přístupného povrchu může být velmi vysoká, když je spotřebič v provozu.

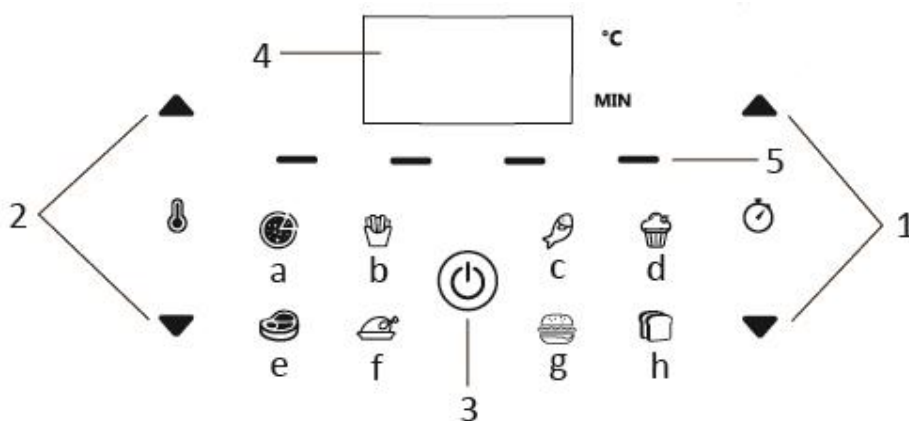
31. Horký vzduch vychází z větracího otvoru na zadní straně spotřebiče. Udržujte dostatečnou vzdálenost od materiálů, jako je sklo, které jsou citlivé na teplo.
32. Používáte-li produkty s nepřilnavou vrstvou, ujistěte se prosím, že se ve stejné místnosti nenachází ptáci a pokoj je kompletně uzavřen a dobře odvětráván.

## PARTS DESCRIPTION



1. Přívod vzduchu
2. Ovládací panel a displej
3. Koš
4. Rukojeť košíku
5. Mřížka na smažení
6. Silikonové pouzdro
7. Výstup vzduchu

## Ovládací panel a displej



1. Časovač (Stiskněte “▲” nebo “▼” pro nastavení času od 1 do 60 minut)
2. Řízení teploty (Stiskněte “▲” nebo “▼” pro nastavení teploty od 80 ° C do 200 ° C)
3. Hlavní vypínač
4. Zobrazení časovače a teploty
5. Kontrolka

Tlačítka nabídky:

- a). pizza, b). hranolky, c). ryby, d). dort,  
e). maso, f). kuře, g). hamburger, h). chléb

## PŘED POUŽITÍM

Před použitím si pečlivě přečtěte všechny instrukce a návod si uschovejte pro pozdější použití. Připojte tento spotřebič k výhradně uzemněné zásuvce. Před prvním použitím odstraňte balicí materiál. Vyčistěte koš a mřížku na smažení. (viz “ČIŠTĚNÍ A ÚDRŽBA”). Spotřebič čistěte uvnitř a vně měkkým hadříkem. Dbejte prosím na to, aby elektrické součástky zůstaly suché. **Tento spotřebič se ohřívá potraviny a pro většinu přísad není přidání oleje nutné.**

Před prvním použitím provozujte spotřebič po dobu přibližně 10 minut, aby se spálili zbytky z výroby. Ujistěte se, že existuje dobré větrání. Příklad může vydávat trochu kouře a charakteristický zápach, když ho poprvé zapnete. To je normální a brzy to ustane.

**Poznámka:** Vždy používejte mřížku na smažení s připojenými silikonovými pouzdry. Pomohou stabilizovat mřížku na smažení v koši během vaření.

## POUŽITÍ

1. Postavte spotřebič na suché, pevné a žáruvzdorné místo.
2. Spotřebič se během používání zahřívá; nepokládejte ho tedy do bezprostřední blízkosti jiných objektů.
3. Vyjměte koš ze spotřebiče za rukojeť koše. Vložte mřížku na smažení do košíku.
4. Vložte potraviny do košíku. (Nepřekračujte hladinu MAX vyznačenou na košíku). Zasuňte koš do spotřebiče. Ujistěte se, že jsou správně umístěny a zcela zavřené. V opačném případě přístroj nebude fungovat. Upozornění: Nedotýkejte se košíku během používání a jistou dobu po použití, protože je velmi horký. Držte košík pouze za rukojeť.
5. Zapojte zástrčku do vhodné napájecí zásuvky. Příklad je nyní v pohotovostním režimu.
6. Stiskněte jednu hlavní vypínač. Poté stiskněte „▲“ nebo „▼“ pro nastavení požadované teploty (5 stupňů / stisknutí) a času (1 minuta / stisknutí) pro přísady. Můžete také dlouze stisknout „▲“ nebo „▼“ pro rychlé nastavení.
7. Můžete také stisknout tlačítko nabídky a přímo zvolit funkci vaření mezi pizzou, hranolky, rybou, koláčem, masem, kuřetem, hamburgerem a chlebem. Pokud chcete trochu upravit čas a teplotu, stiskněte „▲“ nebo „▼“ pro nastavení.
8. Opět stiskněte hlavní vypínač; stroj začne pracovat. Kontrolka se postupně rozsvítí.
9. Po dokončení celého procesu vaření se ventilátor vypne. Příklad můžete také ručně vypnout stisknutím hlavního vypínače. Ventilátor se zastaví za několik sekund.
10. Vyjměte koš ze spotřebiče za rukojeť koše. Zkontrolujte, jestli je jídlo připraveno. Pokud ne, zasuňte košík zpět do přístroje. Nastavte teplotu a časovač na několik dalších minut. Stiskněte hlavní vypínač pro opětovné zapnutí přístroje. POZNÁMKA: Můžete také vytáhnout koš, abyste během vaření zkontrolovali a protřepali ingredience. Když zasunete košík zpět, přístroj bude nadále pracovat s původním nastavením.
11. Vyprázdněte obsah koše do mísy nebo na talíř. Chcete-li odstranit velké nebo křehké ingredience, vyjměte ingredience z koše pomocí kleští.  
Chcete-li během smažení odstranit potraviny (např. hovězí, kuřecí, s původním olejem, přičemž se přebytečný olej shromažďuje na dně koše, použijte kleště pro postupný výběr potravin.  
Chcete-li vyjmout potraviny (např. hranolky, zeleninu bez přebytečného oleje z potravin), vytáhněte koš a vysypte potraviny do nádobí.
12. Po ukončení vaření je spotřebič ihned připraven pro přípravu další porce.

## TIPY PRO FRITOVÁNÍ

1. Optimální množství pro křupavé hranolky je 600-800 g.
2. Přidejte další 3 minuty k přípravné době, když je spotřebič studený, nebo nechte přístroj predehřát přibližně 4 minuty bez vložených ingrediencí.
3. Některé potraviny vyžadují promíchání v polovině doby přípravy. Chcete-li potraviny promíchat nebo převrátit, vytáhněte koš ze spotřebiče za rukojeť a promíchejte nebo přetočte vidličkou (nebo kleštěmi). Potom zasuňte košík zpět do přístroje.
4. Fritézu můžete také použít k ohřátí potravin. Chcete-li ohřívát potraviny, nastavte teplotu na 150 °C po dobu až 10 minut.
5. Výrobky s krustou ze strouhanky budou křupavější, když je pokropíte trochou rostlinného oleje.
6. Umístěte plech na pečení nebo mísu do spotřebiče, pokud chcete upéct koláč, quiche nebo jiné křehké ingredience.
7. Nepřipravujte ve spotřebiči extrémně mastné potraviny, jako jsou klobásy.

**POZOR:**

1. Nikdy neponořujte spotřebič do vody a neoplachujte pod tekoucí vodou.
2. Vyvarujte se vniku tekutin do spotřebiče, aby nedošlo k úderu el. proudem nebo zkratu.
3. Vkládejte přísady výhradně do nástavce a vyvarujte se tomu, aby se dostaly do kontaktu s horkými částmi.
4. Přívod a odvod vzduchu se nesmí během provozu přikrývat. Nechte min. 10 cm místo kolem a nad spotřebičem.
5. Naplnění koše olejem může způsobit požár!
6. Nedotýkejte se vnitřní strany spotřebiče, když je v provozu.
7. Buďte opatrní v případě horké páry a horkého vzduchu, až budete vyjímat nástavec ze spotřebiče.
8. Během provozu proudí z výpusti horká pára. Udržujte rukama a obličejem bezpečný odstup od výpusti vzduchu a páry.
9. Ihned spotřebič vypněte a vytáhněte zástrčku ze zásuvky, pokud bude ze spotřebiče vycházet tmavý kouř. To znamená, že jsou pokrmy spálené nebo došlo k závadě.

**TABULKA- FRITOVÁNÍ**

V této tabulce jsou množství potravin, je tam zadána potřebná teplota a čas smažení. Pokud jsou pokyny na obalu výrobku odlišné od hodnot v tabulce, dodržujte pokyny udané na obalu výrobku.

Potraviny	min. – max. množství (gr.)	čas (min.)	teplota (°C)	třepat	poznámky
tenké mražené hranolky	450-1000	9-25	200	třepat	
silné mražené hranolky	450-1000	11-25	200	třepat	
domácí hranolky (8 × 8 mm)	450-1200	10-25	200	třepat	přidejte ½ polévkové lžice oleje
domácí hranolky	450-1200	18-22	180	třepat	přidejte ½ polévkové lžice oleje
domácí bramborové kostky	450-1100	12-18	180	třepat	přidejte ½ polévkové lžice oleje
rösti	350	15-18	180	třepat	
gratinované brambory	750	15-18	200	třepat	
steak	150-750	8-12	180	-	
vepřové kotlety	150-750	10-14	180	-	
hamburger	150-750	7-14	200	-	
párky v těstíčku	150-750	13-15	200	-	
kuřecí stehno	150-750	15-22	200	--	
kuřecí prso	150-750	10-15	200	-	
Jarní závitky	150-600	8-10	200	třepat	používat připravené v troubě
mražené kuřecí nugety	150-750	6-10	200	třepat	používat připravené v troubě
mražené rybí prsty	150-600	6-10	200	-	používat připravené v troubě
mražené obalovaný sýrové plátky	150-600	8-10	180	-	používat připravené v troubě
plněná zelenina	150-600	10	160	-	
koláč	450	20-25	160		Použijte pečicí formu.

slaný koláč	600	20-22	180		Použijte pečicí formu/pekáček.
Muffiny	450	15-18	200		Použijte pečicí formu.
Sladké pečivo	600	20	160		Použijte pečicí formu/pekáček.

## ČISTĚNÍ A ÚDRŽBA

1. Nechte spotřebič cca 30 minut vychladnout, než ho uchopíte nebo očistíte. Čistěte pravidelně spotřebič z vnitřní i vnější strany.
2. Vnější i vnitřní stranu čistěte vlhkým hadříkem a vysušte měkkým čistým hadříkem.
3. V žádné případě nepoužívejte drhnoucí prostředky nebo houby.
4. Vyjměte košík, aby přístroj rychleji vychladl. Vyčistěte košík a mřížku na smažení v horké vodě s malým množstvím prostředku pro mytí nádobí a neabrazivní houbou. Před použitím pečlivě vysušte.
5. Vyčistěte topný článek uvnitř krytu (můžete ho vidět po vyjmutí košíku) čistícím kartáčem, abyste odstranili veškeré zbytky jídla.

Poznámka: Košík a mřížka na smažení jsou vhodné pro myčku nádobí.

## ODSTRANĚNÍ ZÁVAD

Problém	Možná příčina	Řešení
<b>Přístroj nefunguje.</b>	Spotřebič není připojen k proudu.	Zástrčku připojte k uzemněné zásuvce.
	Nezmáčkli jste hlavní vypínač pro zapnutí spotřebiče.	Stiskněte hlavní vypínač pro zapnutí spotřebiče.
<b>Potraviny nejsou uvařené.</b>	Množství jídla v košíku je příliš vysoké.	Do košíku vložte menší množství jídla. Menší dávky jsou smažené rovnoměrněji.
	Teplota je příliš nízká nebo čas nestačí.	Zvyšte teplotu nebo vařte déle.
<b>Potraviny nejsou nerovnoměrně usmažené.</b>	Různé druhy potravin se musí promíchat v polovině vaření.	Promíchejte potraviny v polovině doby vaření.
<b>Smažené potraviny nejsou křupavé</b>	Používali jste typ potravin, které se vaří v tradiční fritéze.	Použijte předsmažené potraviny do trouby nebo zlehka postříkejte potraviny trochou oleje, abyste dosáhli křupavějšího výsledku.
<b>Ze spotřebiče vychází bílý kouř.</b>	Připravujte tučné pokrmy.	Když smažíte mastné potraviny, olej vytéká do koše. Olej produkuje bílý kouř a koš se může zahřát. Nemá to vliv na výsledek vaření ani nepoškozuje spotřebič.
	V košíku jsou stále zbytky tuku z předchozího použití.	Po každém použití košík řádně očistěte.
<b>Čerstvé hranolky se usmaží nerovnoměrně.</b>	Nepoužili jste správný typ brambor.	Používejte čerstvé brambory.
	Před smažením jste správně neopláchli bramborové hranolky.	Umyjte bramborové hranolky správně, abyste odstranili škrob z vnější strany hranolků.
<b>Čerstvé hranolky nejsou křupavé</b>	Křupavost hranolků závisí na množství oleje a vody v hranolkách.	Před přidáním oleje se ujistěte, že hranolky byly správně vysušeny.
		Hranolky nakrájejte na menší části pro křupavější výsledek.
		Pro dosažení křupavějšího výsledku přidejte o něco více oleje.

## TECHNICKÉ ÚDAJE

Jmenovité napětí: 220-240V ~ 50/60Hz

Příkon: 1500W

### LIKVIDACE ŠETRNÁ K ŽIVOTNÍMU PROSTŘEDÍ



Recyklace - Evropská směrnice 2012/19/EU

Toto označení znamená, že tento výrobek nesmí být likvidován s jiným domácím odpadem. Aby se zabránilo možnému znečištění životního prostředí nebo zranění osob nekontrolovanou likvidací,

recyklujte výrobek zodpovědně k podpoře opětovného využití hmotných zdrojů. Pro vrácení vašeho použitého zařízení, prosím použijte vratné a sběrné systémy nebo kontaktujte obchodníka, kde jste výrobek zakoupili. Mohou přijmout tento výrobek pro recyklaci, která je šetrná k životnímu prostředí.

Emerio Holland B.V.

Zomervaat 1A

2033 DA Haarlem

The Netherlands

T: +31(0)23 3034369